

Chord Electronics  
Product Communication | English

The Pumphouse, Farleigh Lane, East Farleigh, Kent,  
ME16 9NB. Great Britain.  
+44 (0) 1622 721 444  
info@chordelectronics.co.uk  
chordelectronics.co.uk

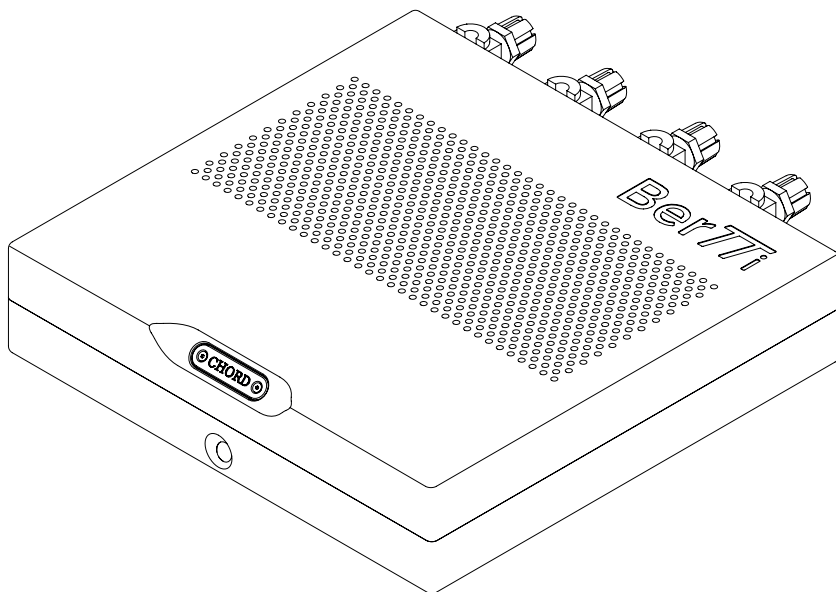
# BerTTi Manual

## V.1



Chord Electronics Ltd.

-



Made in  
BRITAIN 

# 1 Contents

<b>Introduction</b>	<b>2</b>
<b>Support and warranty</b>	<b>3</b>
<b>Connections and controls</b>	<b>4</b>
<b>Power and earthing connection</b>	<b>5</b>
<b>Inputs</b>	<b>6</b>
<b>Connecting to loudspeakers</b>	<b>7</b>
<b>Power on/off</b>	<b>8</b>
<b>12 V trigger</b>	<b>9</b>
<b>Placement</b>	<b>10</b>
<b>Technical specifications</b>	<b>11</b>

---

## 2 Introduction

The BerTTi is a next-generation 75-watt stereo power amplifier containing the very latest ULTIMA circuit topology. This manual provides all the information required to set up and operate the BerTTi. Further details can be found online at: [chordelectronics.co.uk/product/bertti](http://chordelectronics.co.uk/product/bertti).

### 2.1 Safety and care

- Do not allow the device to come into contact with water or liquids.
- Do not spray cleaning products onto the device. Use a clean microfibre cloth to clean the casework.
- A further safety document is included in the box.
- The device does not contain any user-serviceable components. Do not attempt to open, dismantle or apply internal third-party devices to it. Doing so will void the warranty.

### 3 Support and warranty

For support, please contact the supplying retailer before contacting Chord Electronics. Further help can be found at [chordelectronics.co.uk/get-support](http://chordelectronics.co.uk/get-support)



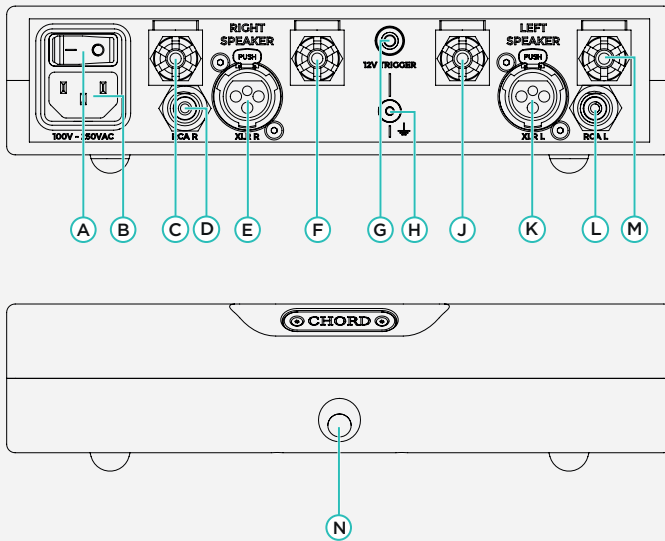
At the point of sale, Chord Electronics Ltd. provides the BerTTi with a comprehensive three-year warranty, which covers defects in materials and workmanship through fair usage.

The warranty is transferable with proof of purchase, however, the warranty on ex-demonstration units begins from the retailer's date of purchase. Warranty claims must be made via the supplying retailer.

For the best possible support and service, please register your purchase with Chord Electronics at: [chordelectronics.co.uk/register-product/](http://chordelectronics.co.uk/register-product/)

## 4 Connections and controls

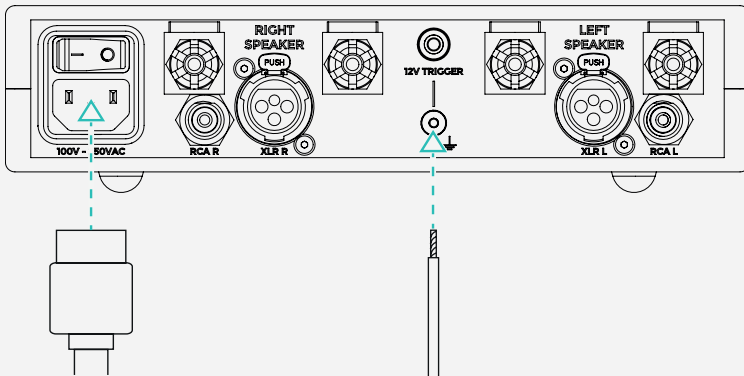
### 4.1 Rear and front panels



<b>A</b> Power on/off switch	<b>F</b> Right channel speaker negative terminal	<b>L</b> Left channel line level RCA input
<b>B</b> 10 A IEC AC inlet	<b>G</b> 12 V trigger connection	<b>M</b> Left channel speaker positive terminal
<b>C</b> Right channel speaker positive terminal	<b>H</b> Grounding post	<b>N</b> Power/standby switch and status LED
<b>D</b> Right channel line level RCA input	<b>J</b> Left channel speaker negative terminal	
<b>E</b> Right channel balanced XLR input	<b>K</b> Left channel balanced XLR input	

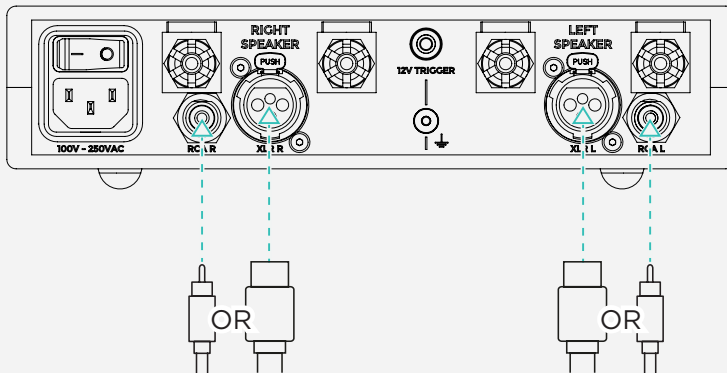
## 5 Power and earthing connection

The BerTTi has been designed to connect to power with the supplied 10 A power cable. If hum or buzz occurs, try either a good-quality earthed power distribution block, or the rear panel ground terminal and connect to an available earth point.



## 6 Inputs

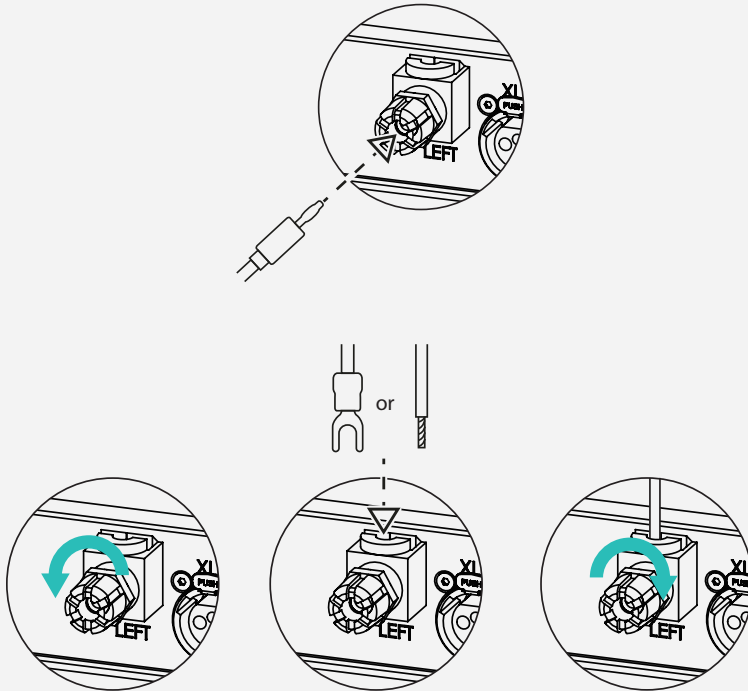
Connect the BerTTi to any preamp output using good-quality standard RCA cables, or connect using balanced XLR cables. Note only one input type can be used at once: the BerTTi does not support 'switching' between the input connection types.



**WARNING:** Please DO NOT attempt to use both the RCA and XLR inputs simultaneously. Any subsequent damage to connected equipment will not be covered by Chord Electronics.

## 7 Connecting to loudspeakers

Connect the BerTTi to loudspeakers using good-quality loudspeaker cable, terminated with 4 mm banana plugs. Unscrew BerTTi's loudspeaker terminals to use spade-plug-terminated cable. Although bare wire can be used, it is not recommended.

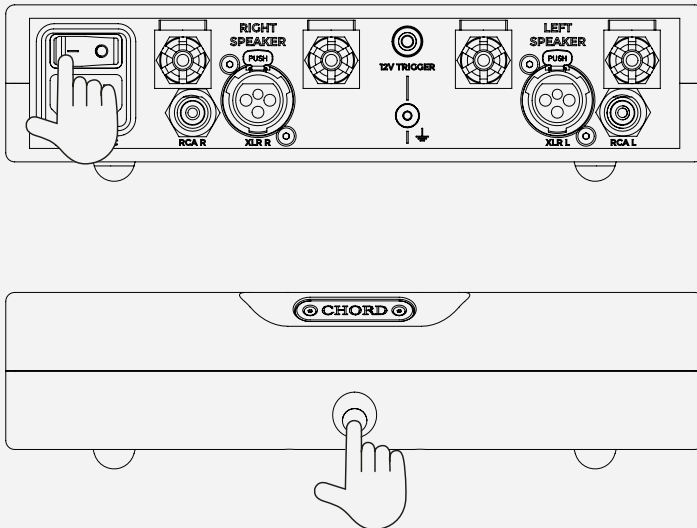




## 8 Power on/off

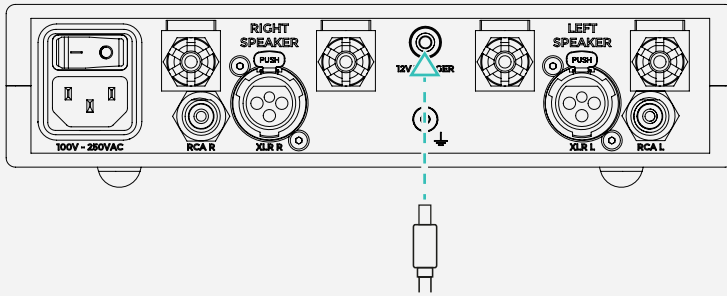
With all cable connections successfully made and the volume on connected preamps set to zero, switch the rear-panel power button to 'on' and depress the front panel button to switch the unit from standby mode to 'on'. The front panel LED will turn from green (standby) to cyan (on), once the BerTTi has performed its safety check. BerTTi is ready for use and the preamp volume can now be carefully increased for playback.

The BerTTi consumes very little energy in standby mode and if desired, can be left switched 'on' at all times.



## 9 12 V trigger

The BerTTi includes a 12 V trigger input. Partnering devices with a compatible 12 V trigger output can be connected for simultaneous power on/off from standby mode. When connected the front panel button LED will turn yellow and once triggered the LED will change to purple.



## 10 Placement

The BerTTi benefits from extensive casework ventilation, plus a cooling fan for more demanding environments. Always ensure the BerTTi is used in a well-ventilated setting, away from direct sunlight and heat sources, with sufficient space (at least 10 cm) around the unit.

The BerTTi has internal thermal protection which increases the speed of the cooling fans if excessive temperatures are reached. Should this occur, check the BerTTi has adequate ventilation and/or reduce the volume level until the unit has cooled and the fans have slowed. It is normal for the unit to become warm when operating.

If stacking the BerTTi with other units, it is advisable to place the unit on top of others.

## 11 Technical Specifications

Please go online for the most recent specifications: [www.chordelectronics.co.uk](http://www.chordelectronics.co.uk)

<b>Dimensions</b>	59 mm (H) 235 mm (W) 256 mm (D)
<b>Weight</b>	3.75 kg
<b>Output power</b>	75 W into 8 $\Omega$
<b>Frequency range</b>	5 Hz-100 kHz +/- 0.5 dB
<b>THD</b>	0.008 %
<b>Signal-to-noise ratio</b>	87 dB (A-weighted)
<b>Input impedance</b>	100 k $\Omega$ unbalanced/balanced
<b>Input sensitivity</b>	0.78 V
<b>Gain</b>	30 dB



Chord Electronics Ltd.

