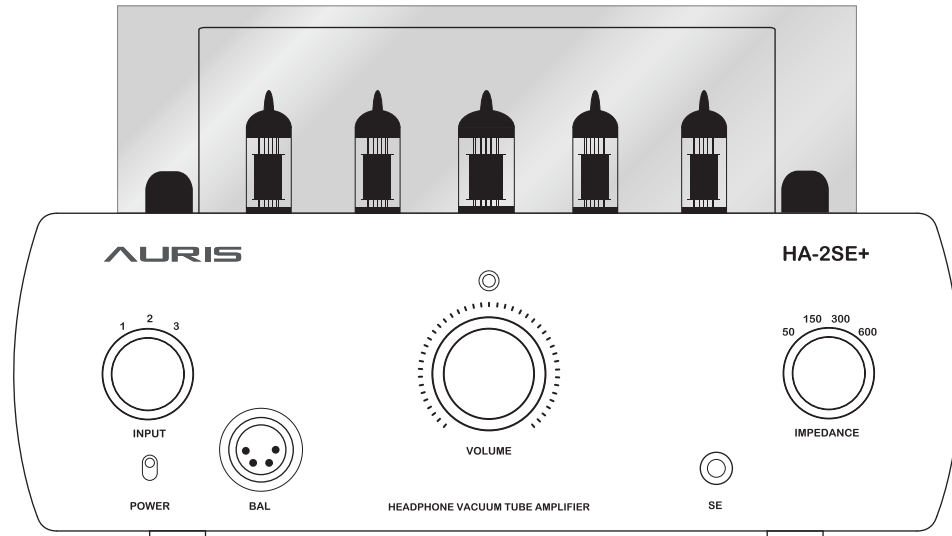


# AURIS

## HA-2SE+

High End Headphone Amplifier



**OWNER'S MANUAL**

aurisaudio.rs

MUSIC WITHOUT LIMITS

## TABLE OF CONTENTS

1. Introduction
2. Package contents
3. Important safety instructions
4. Installation
5. Front panel
6. Top panel
7. Rear panel
8. Vacuum tubes installation
9. Connecting
10. Specifications
11. Glass installation guide
12. Warranty

## 1. Introduction

Welcome to the Auris Audio Family.

HA-2SE+ represents high end, vacuum tube headphone amplifier.

HA-2SE+ is balanced amplifier with multiple inputs and outputs, which offers you a choice of impedance from 50 to 600 Ohm in accordance with the headphone type.

## 2. Package content

Beside the device, this package contains:

- HA-2SE+ Headphone Amplifier
- Vacuum Tubes 4 x PL95 and 1 x ECC 81
- User Manual
- Warranty

## 3. Important safety instructions

1. Read these instructions.
2. Keep these instructions.
3. Heed all warnings.
4. Follow all instructions.
5. Do not use this apparatus near water.
6. Clean only with dry cloth.
7. Do not block any ventilation openings. Install in accordance with the manufacturer's instructions.
8. Do not install near any heat sources such as radiators, heat registers, stoves, or other apparatus (including amplifiers) that produce heat.
9. Do not defeat the safety purpose of the polarized or grounding-type plug. USA and Canada only: A polarized plug has two blades with one wider than the other. A grounding type plug has two blades and a third grounding prong. The wide blade or the third prong are provided for your safety. If the provided plug does not fit into your outlet, consult an electrician for replacement of the obsolete outlet.
10. Protect the power cord from being walked on or pinched, particularly at plugs, convenience receptacles, and the point where they exit the apparatus.
11. Only use attachments/accessories specified by the manufacturer.
12. Unplug this apparatus during lightning storms or when unused for long periods of time.
13. Refer all servicing to qualified service personnel. Servicing is required when the apparatus has been damaged in any way, such as power supply cord or plug is damaged, liquid has been spilled or objects have fallen into the apparatus, the apparatus has been exposed to rain or moisture, does not operate normally, or has been dropped.
14. **WARNING:** To reduce the risk of fire or electric shock, this apparatus should not be exposed to rain or moisture and objects filled with liquids, such as vases, should not be placed on this apparatus.
15. To completely disconnect this equipment from the mains, disconnect the power supply cord plug from the receptacle.
16. The mains plug of the power supply cord shall remain readily operable.

## 4. Installation

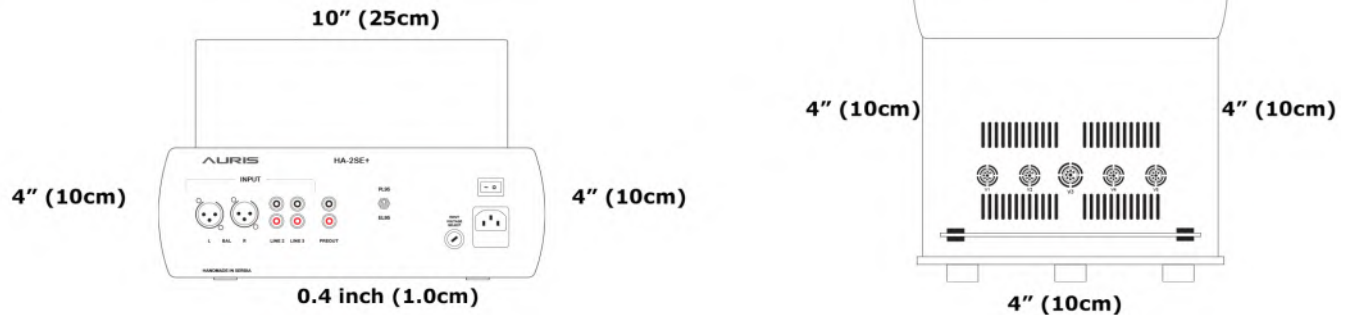
Always provide adequate ventilation for HA-2SE+ . Cool operation ensures the longest possible operating life for any electronic instrument. Do not install HA-2SE+ directly above a heat generating component such as a high powered amplifier. If all the components are installed in a single cabinet, a quiet running ventilation fan can be a definite asset in maintaining all the system components at the coolest possible operating temperature.

A custom cabinet installation should provide the following minimum spacing dimensions for cool operation.

Allow at least 10 inches (25cm) above the top, 0.4 inch (1.0cm) below the bottom and 4 inch (10.0cm) on each side of the unit, so that airflow is not obstructed.

Feel free to contact the Auris Customer Service department for any further questions or for additional assistance.

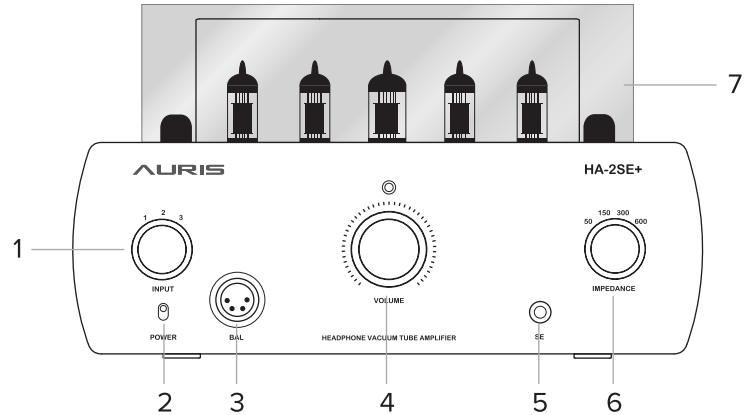
support@aurisaudio.rs



# AURIS

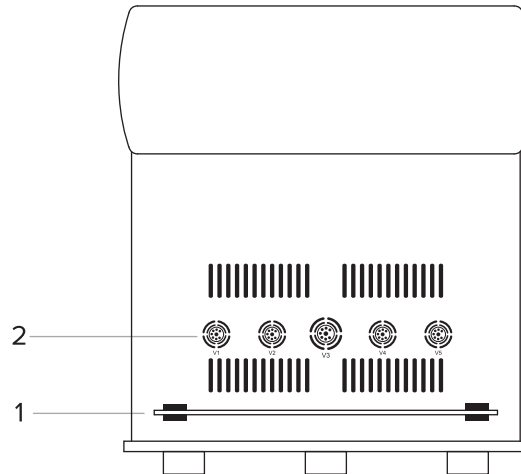
## 5. Front panel

1. Input Selector
2. On/Off Switch
3. Headphone XLR Balanced Output
4. Volume Knob
5. Headphone Single Ended Output
6. Headphone Impedance Selector
7. Glass Protection



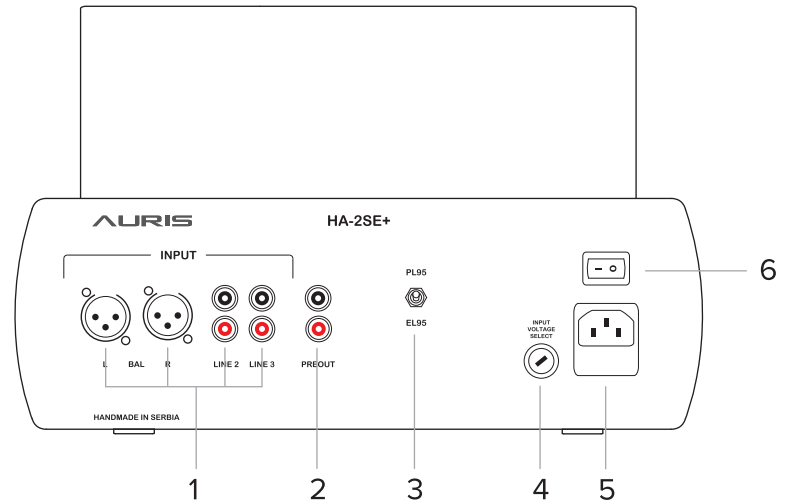
## 6. Top panel

1. Glass Protection
2. Tubes

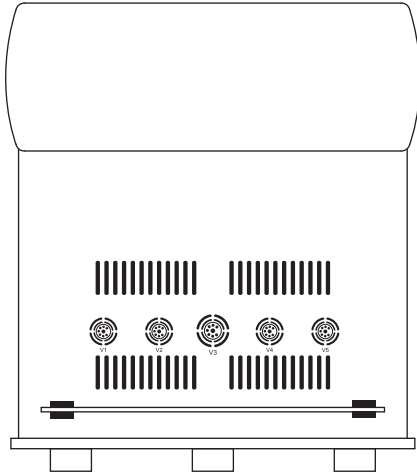


## 7. Rear panel

1. Input Connections (2xRCA, 1xXLR)
2. Pre Output
3. PL95/EL95 Tube Selector
4. Input Voltage Selector
5. Power Cord Inlet
6. On/Off Switch



## 8. Vacuum tubes installation



Before inserting the tubes, inspect them for cracks and physical damage. Make sure that the pins are straight. If you need to straighten the pins, be very careful as that may cause the glass envelope to break, causing the tube to lose the vacuum and fail as soon as the amplifier is powered on. Locate correct location for each tube, carefully align the pins with the socket and gently insert the tube.

*Never force a tube into a socket!*

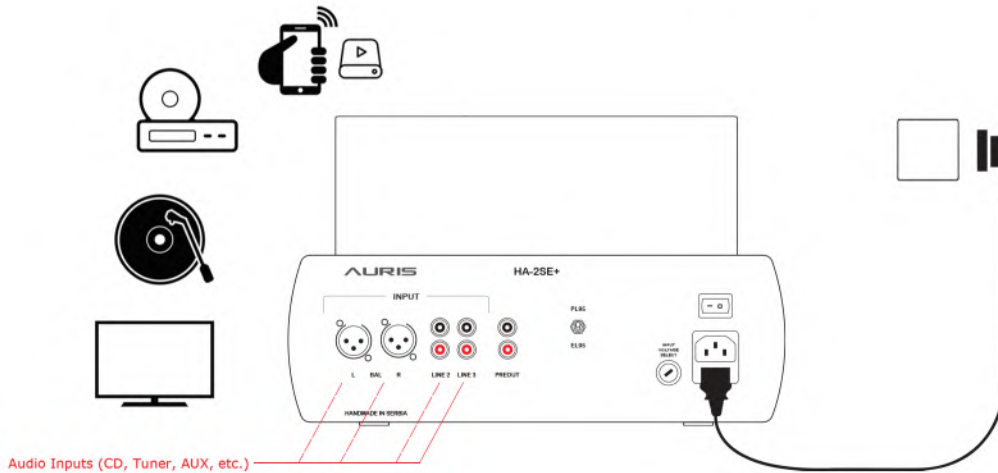
It is normal for a vacuum tube equipment to run warm if used for prolonged periods. Tubes are operating at much higher temperature and should not be touched for at least ten minutes after the unit is turned off to prevent burns. Always place your amplifier away from children and pets to prevent burns.



## 9. Connecting

1. Make sure that you read instructions before attempting to operate your unit.
2. Connect your amplifier to an input source of your own choice.
3. Attach headphones to the amplifier.
4. Make sure your amplifier is properly connected to a high-current power receptacle.
5. At the end of your listening session make sure to turn the amplifier off.

**The amplifier should always be turned on and off via its own power on-off switch.**

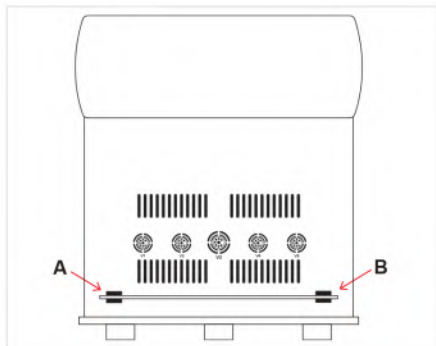


## 10. Specifications

Tubes	1x ECC81 , 4 x PL95
Input Impedance	470 k
Input Sensitivity	1 Vrms
Power output: max	1 W
Output Impedance	50 $\Omega$ /150 $\Omega$ /300 $\Omega$ & 600 $\Omega$
Analog Inputs	3 x Line (2RCA/1XLR)
Analog Outputs	1 x 6.3 mm, 1 x XLR
Dimensions WxLxH (mm)	310x360x195 mm/12.20"x14.17"x7.67"
Weight (kg)	9.5 kg/20.9 lbs

## 11. Glass installation guide

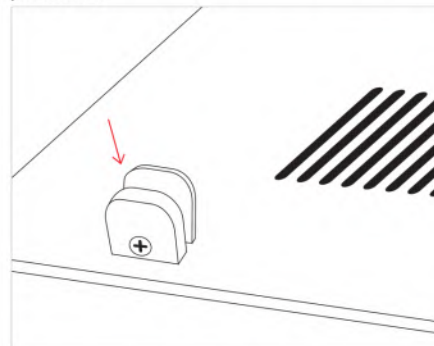
**Step 1.** Find the position of a two glass holders (A and B)



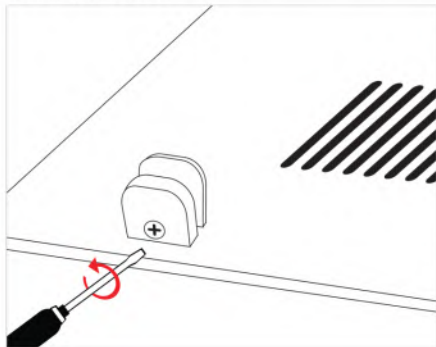
**Step 2.** Get a screwdriver



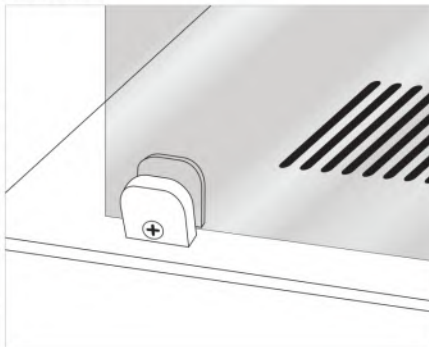
**Step 3.** Find the screws in the glass holder at the position A and the glass holder at the position B



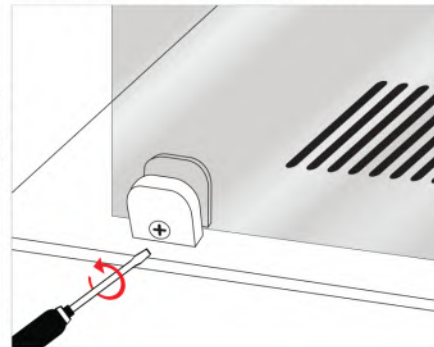
**Step 4.** Remove the screws from glass holder at the position A and a glass holder at the position B



**Step 5.** Insert the glass into glass holder at the position A and a glass holder at the position B



**Step 6.** Put back the screws and screw them in the glass holder at the position A and a glass holder at the position B



## 12. Warranty

Product you have purchased is designed to give you enjoyment in your favorite music. However it is possible that the failure occurs even at this precise-made, high quality equipment. In this case, please read the enclosed warranty carefully which contains rights, limitations, exclusions and obligation.

Auris Audio warranty terms and condition

- Please register your product within 30 days of purchase, otherwise the warranty will not apply.
- Auris Audio products come with a two years limited warranty against defects in materials and workmanship.
- Guarantee service is available only in the region/country of original sale
- The guarantees start from the invoice-issue date
- Original invoice must be produced for the authentication prior to any warranty claim.
- Warranty is provided to the original owner only and is not transferable to any third party.
- The warranty does not cover:
  - a) if the Auris Audio product is stored in a humid environment
  - b) which has not been maintained in accordance with any operating or handling instructions provided by Auris Audio
  - c) which has been used other than in accordance with the product operating and handling instructions
  - d) any service or modification performed by an unauthorized person or company
  - e) any product not purchased from Auris Audio or an a Auris Audio Authorized Partner
  - f) repair work performed by the end user or any non-authorized repair center.
  - g) normal wear tear and cosmetic damage
  - h) product sold "as is", "as seen"
  - i) connected equipment
  - j) personal injury
- Auris Audio will during the warranty period repair the product to working order or if this is not possible, Auris Audio will be replaced the product with the same one or the similar available product.
- Any parts/device that are replaced will become the property of Auris Audio
- After the warranty period, all the repairs and shipping cost will be charged to the owner.
- Any repair or replacement under this warranty will not extend the prior of warranty.

**AURIS**

[www.aurisaudio.rs](http://www.aurisaudio.rs)  
[info@aurisaudio.rs](mailto:info@aurisaudio.rs)