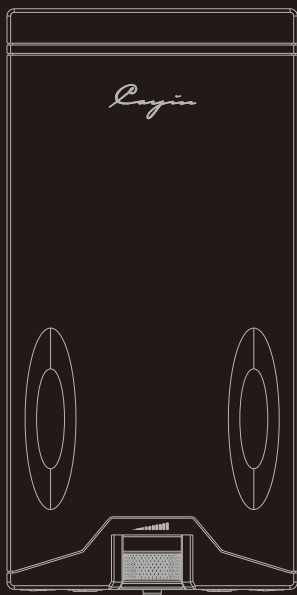


*Rayin*  
凯音

## C9 便携式耳机功率放大器



简易操作指南

感谢您购买Cayin C9便携式耳机功率放大器，使用前请仔细阅读本手册，能帮助您尽快掌握本机的基本操作。

## 用前须知：

- 1、为保护您的听力，使用前请将音量调至最小位置，使用时再将音量电位器调至音量舒适的位置。
- 2、本机属高保真耳机功率放大器，建议您佩戴高保真耳机，以聆听更高品质的音乐。

## ● 包装清单 -----

C9主机-----	1 台	Type-C USB充电线-----	1 条
C9电源模组（已装到主机上）-----	1 个	操作指南-----	1 份
背板玻璃保护膜-----	1 片	电源模组备用螺丝-----	4 颗
模拟音频信号线 CS-35C35-----	1 条	T6螺丝刀-----	1 把
模拟音频信号线 CS-44C44-----	1 条		

**注意：**首次打开包装请核对以上物品是否齐全。

## ● 本机特点 -----

1. 配备3.5mm单端和4.4mm平衡输入/输出端子，系统根据连接情况自动适配选择。
2. 可选择Line（线路）和Pre（前级）输入模式。
3. 内置四通道电子管和晶体管音色电路，您可根据喜好选择。
4. 可选高/低增益，您可根据耳机特性或喜好选择。
5. 可选A/AB类耳放电路工作状态，音色有差异，您可根据喜好选择。
6. 内置四路分立元件组成的高音质耳机功率放大电路。
7. 音量控制采用“ALPS电位器 + 精密电子音量IC”电路架构，保证操作手感和四通道音量一致性。
8. 使用插拔式高性能电源模组，支持快充和普通充电模式（注：本机不配充电器）。

## ● 基本操作/功能说明

### 1. Mode (Line/Pre) 输入模式开关

Line：表示为线路输入 (Line in) 模式；

Pre：表示为前级输入 (Pre in) 模式。

### 2. Gain (H/L) 增益开关


“H”表示高增益，一般适用高阻抗低灵敏度耳机；

“L”表示低增益，一般适用低阻抗高灵敏度耳机。

### 3. Volume音量旋钮

旋动音量旋钮可以改变音量大小，顺时针方向旋转，音量增大；逆时针方向旋转，音量减小。

### 4. Timbre音色开关

“”表示电子管音色；切换到该音色时，本机先为电子管进行5秒钟的预热，使电子管达到正常工作状态，再进行音色切换。在此5秒期间，指示灯会闪烁；

“”表示晶体管音色。

### 5. A/AB类耳放工作状态开关

“A”为A类（甲类）工作状态；

“AB”为AB类（甲乙类）工作状态。

### 6. 3.5mm单端输出插座

用于连接3.5mm单端立体声耳机。

### 7. 4.4mm平衡输出插座

用于连接4.4mm平衡立体声耳机。

### 8. 电源开关

按下电源开关，开启本机电源，指示灯亮；

再次按下电源开关，关闭本机电源，指示灯灭。

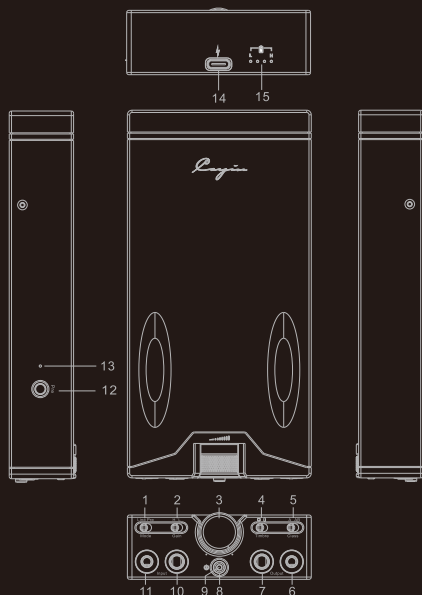
### 9. 电源指示灯

用于指示本机工作状态：

a.指示灯常亮：正常工作；

b.指示灯闪烁：开机延时或准备切换到电子管音色；

c.指示灯快速闪烁：机器故障。



### 10. 4.4mm平衡输入插座

用于连接4.4mm平衡插头的线路或前级音频输入信号线。

### 11. 3.5mm单端输入插座

用于连接3.5mm单端插头的线路或前级音频输入信号线。

### 12. Pre输入模式确认开关

1) 将Mode 开关拨到Pre输入模式；

2) 输入插座和输出插座都必须有一个插座与设备连接；

3) 长按按键3秒直到指示灯常亮，即为前级输入 (Pre in) 模式；

4) 在前级输入 (Pre in) 模式时，如果拔掉其中一个或多个连接设备，本机自动设置成线路输入 (Line in) 模式；

5) 重新开机后默认为线路输入 (Line in) 模式，就算Mode开关在Pre位置，如需使用Pre模式，需要再做确认操作。

### 13.Pre状态指示灯

指示灯常亮：前级输入（Pre in）模式；

指示灯灭：线路输入（Line in）模式。

### 14. Type-C USB插座

支持PD、QC3.0快充协议和普通充电模式，请使用优质充电器给本机充电。

### 15.电池充电及电量指示灯

"H"灯亮表示电量充足；

四盏灯不亮或只有"L"灯亮表示电量不足；

在充电过程中，指示灯闪烁表示正在充电，四盏灯常亮表示电池已充满。

#### 特别说明：

1.Pre模式下，本机音量固定为最大值；

2.用户选择进入Pre模式前，请先确认接驳本机的前端音源是否有前级输出功能，如无此功能，请不要切换本机为Pre模式，避免因音量过大对耳机或人耳造成可能潜在的风险；

3.Pre模式的切换需要两步操作，同时不做记忆功能，重新插拔亦会切换回Line模式，其目的就是为了充分保护，防止用户误操作；

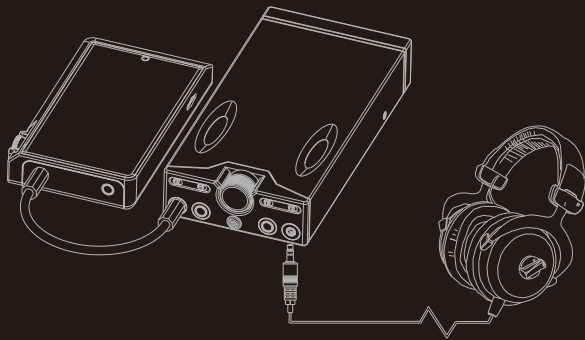
4.对于有Pre输出功能的前端音源才适用于此模式。连接前，请先将前端Pre输出电平调低后连接，再根据听者的实际需求，通过前端音源调节相应的音量。

#### ● 连接与操作 -----

以连接Cayin N6 MK2主机+A02音频主板Pre模式为例进行描述：

#### 连接音源设备：

如下图所示，根据您的音源接口情况，可选择3.5mm单端或4.4mm平衡输入连接方式。



C9与N6MK2主机+A02音频主板连接图

## 连接耳机：

### 1. 使用3.5mm单端耳机

请将高音质的3.5mm耳机插头插入到C9前面板的3.5mm耳机插座上（前面基本操作/功能说明“第6项描述”）。

### 2. 使用4.4mm平衡耳机

请将高音质的4.4mm平衡耳机插头插入到C9前面板的4.4mm耳机插座上（前面基本操作/功能说明“第7项描述”）。

## 基本操作：

1. 确认输入插座连接音源设备，输出插座连接耳机；

2. 将本机前面板的音量旋钮旋转到音量最小的位置；

3. 按下前面板的电源开关键，电源接通，电源指示灯闪烁，进入准备状态；

4. 延时约5秒后，电源指示灯常亮，本机进入正常工作状态，将输入模式设置为Pre；

5. 打开所连接的N6MK2，将其输出选择设置为“Pre”，并将其输出音量调至最小或较小位置，播放音乐，戴上耳机，调节N6MK2音量至合适位置，开始享受音乐吧！

**注意：** \* 在系统工作过程中，切勿插拔音频信号线，以免损坏本机或耳机。

\* 收听音量和时间要适度，以防损伤您的听觉系统。

\* 身处危险环境时，请不要使用耳机。

\* 使用单声道耳机（使用TS插头），会造成机器内部短路，请不要使用此类耳机，以免损坏机器。

## ● 对本机充电 -----

1. 支持PD、QC3.0快充协议，也兼容普通 USB 充电器。请使用随本机附送的 USB 充电线对本机充电，电量指示灯闪烁表示本机正在充电中，常亮表示电池已被充满。

2. 充电时请关闭本机，快速充电时间约为3小时，如机内电池电量或性能差异过大，则充电时间会延长。

3. 电源模组可以脱离主机进行单独充电，建议重度用户另外购买电源模组作为备用电源。

**注意：** 1. 充电电池的循环次数有限，良好的充电和使用习惯有利于延长电池寿命，正常充电环境温度为：-10~30℃。

2. 特别注意：本机音频地线系统和电源模组地线系统并非共地关系，两者存在电位差，请使用独立的充电器对本机充电！不要直接由音源设备（如电脑、媒体播放器等）对本机充电！否则会触发短路保护功能，并可能对本机、音源设备及连接线缆造成损害。

## ● 电源模组拆装 -----

### ◆ 电源模组拆卸：

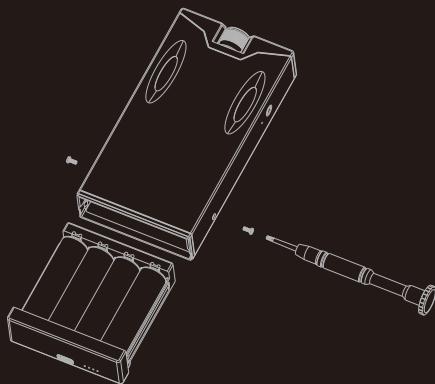
用本机随机配送的螺丝刀将左右两个螺丝拧下，然后手握电源模组组件向后拉，整个电源模组将被拉出。

### ◆ 电源模组安装：

将电源模组以正确方向推进本机电池仓，将两边螺丝拧紧。

### ◆ 更换18650电池：

如果需要更换电池，按图中指示拆卸电池，安装电池时注意电池正负极性不要装反，装反电池可能会损坏电源模组和功放组件，如人为为装反电池损坏电源模组或功放组件，将不提供保修。



电源模组拆装示意图

**注 意：**更换或拆装过电池后，电源模组进入保护状态，这时需要将电源模组至少充电10秒才能解除保护。

**特别注意：**切勿将新旧不同、容量不同、品牌型号不同及电量差异大的电池混合使用，否则会影响本机音频性能，劣化音质，延长充电时间，降低续航，并可能引起安全问题。如需更换电池，请联系本公司或代理商购买经测试配对的全新原配型号电池或电源模组。

**危险警示：**1) 严禁将电池脱离电源模组使用；2) 必须按极性安装电池；3) 切勿将电池短路。

**警 告：**本机内置锂离子电池，使用时请注意：1)禁止拆解、撞击、挤压电池或投入火中。2)若电池出现严重鼓胀，请勿继续使用。3)请勿置于高温环境中。4)机器泡水后禁止使用。

## ● 注意事项及维护保养 -----

1. 驾驶中请勿使用本机。
2. 过高音量会使听力受损，请将音量调至合适位置，如果您感到耳鸣，请调低音量或停止使用本机。
3. 下列情形本机可能会凝聚湿气（露水），进而可能导致机器无法正常工作：
  - a.在刚打开暖气，有蒸气或高温的房间内；
  - b.从寒冷的环境，如有空调的房间或车内，突然带到很热且湿气很重的地方。
4. 长期不使用本机时请把充电插头拔掉，并妥善保管本机，并定期对本机充电
5. 请用柔软、清洁的干布擦拭本机外壳，请勿使用挥发性溶液。
6. 在低温条件下，本机的续航时间可能会暂时缩短。

7. 废旧的电子设备和电池需按当地的环保规定来处理。

🔋 本产品适用于海拔2000米及以下和非热带气候条件下使用。

● 一般故障处理 -----

故障现象	可能原因	解决方法
	本机处于关闭状态	启动机器
	本机电池电量偏低	对本机充电
	本机启动保护状态	对本机充电至少10秒
	输入输出插头插错位置	按标示正确插好插头
	耳机故障	更换耳机
	音量在最小位置	将音量适当调大
	播放设备不在播放状态	启动播放器，使其在播放状态
	3.5mm或4.4mm插头没插到位	重新将插头插到位
	内部电池损坏	更换相同型号的电池
	机器启动短路保护机制	尽快拔掉所有连接线
	充电器损坏	更换充电器

● 产品规格 -----

电池数据指标				
续航参数	音色	耳放状态	3.5mm单端输出	4.4mm平衡输出
	晶体管	AB	≈15小时	≈10小时
		A	≈12小时	≈7小时
	电子管	AB	≈9.5小时	≈9小时
		A	≈8小时	≈5.5小时
充电参数	充电条件	普通充电器 (5V-2A)	快速充电器 (QC3.0)	
	充电时间 (电池电压相等)	≈6小时	≈3小时	

续航测试条件：输入标准线路电平音乐信号，本机音量在10点钟位置，低增益，接32Ω耳机。



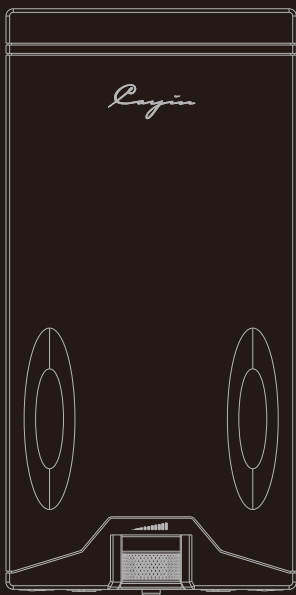
产品技术参数

项目		指标				测试条件
负载		16Ω	32Ω	150Ω	300Ω	
输出功率 3.5mm单端	电子管/晶体管	1200mW	700mW	160mW	80mW	高/低增益
输出功率 4.4mm平衡	电子管/晶体管	4100mW	2600mW	640mW	320mW	高/低增益
频率响应	电子管/晶体管	15Hz-60kHz(±0.5dB)				高/低增益
单端/平衡转换		单端>单端	平衡>单端	单端>平衡	平衡>平衡	
总谐波失真 + 噪声	晶体管	0.0046%	0.008%	0.005%	0.003%	@1kHz, 1Vrms, A计权
	电子管	0.03%	0.03%	0.05%	0.03%	
动态范围	晶体管	120dB	114dB	114dB	123dB	高增益 A计权 20Hz-20kHz
	电子管	112dB	111dB	111dB	114dB	
	晶体管	122dB	119dB	119dB	125dB	低增益 A计权 20Hz-20kHz
	电子管	118dB	117dB	117dB	120dB	
信噪比	晶体管	120dB	114dB	114dB	123dB	高增益 A计权 20Hz-20kHz
	电子管	112dB	111dB	111dB	114dB	
	晶体管	122dB	119dB	119dB	125dB	低增益 A计权 20H-20kHz
	电子管	118dB	117dB	117dB	120dB	
分离度	晶体管	75dB		97dB	114dB	@1kHz A计权
	电子管	75dB		90dB	110dB	
输入灵敏度	线路输入	1.5V	3.0V	1.5V	3.0V	高增益
		3.0V	6.0V	3.0V	6.0V	低增益
	前级输入	2.1V	4.2V	2.1V	4.2V	高增益
		4.2V	8.4V	4.2V	8.4V	低增益
输出阻抗	电子管/晶体管	≤50mΩ				高/低增益

- 注：1、除非另有说明，所有参数均在32Ω负载下测量；  
 2、所有参数均在电池满电状态下测量；  
 3、参数来源于Cayin实验室，产品个体可能存在差异，仅供参考。

*Cayin*  
凯音

## C9 Portable Headphone Amplifier



**User Manual**

Thanks for choosing CAYIN C9, our ultimate portable headphone amplifier. Please read the user manual carefully before using the amplifier.

## NOTICE:

1. C9 is a very powerful headphone amplifier, please turn down the volume to minimum before you plug in earphone or headphone to C9.
2. Please adjust the volume to comfortable level for listening. Listen to loud volume over a prolonged period of time may damage your hearing.
3. It is recommended to use C9 with high fidelity earphones or headphones in order to experience the outstanding audio performance of C9 headphone amplifier.

## ● Package Contents -----

Item	Amount
C9 Portable Headphone Amplifier	1
C9 Battery Module (mounted on the device)	1
Rear Panel Glass Protector	1
Single-ended Portable Interconnect CS-35C35 (3.5 to 3.5)	1
Balanced Portable Interconnect CS-44C44 (4.4 to 4.4 with GND)	1
USB Type-C Charging Cable	1
Backup Screws for Battery Module	1
T6 Screw Driver	4
User Manual	1

Please check your product packaging to make sure the amplifier and listed accessories are in place. If any parts are missing, please contact your dealer immediately.

## ● Product Highlights -----

1. C9 is fully balanced, fully discrete, feature packed, 4-channels high-fidelity headphone amplifier delivers upto 4100mW per channel (at 16Ω loading)
2. C9 support 3.5mm single-ended and 4.4mm balanced for both input and output, the amplifier will also optimize balanced inputs to single-ended headphones, and from single-end input to balanced headphones.
3. Choice of Timber: User can select between Vacuum Tube and Solid State timber on both balanced and single-end inputs
4. The Vacuum tube timber circuit is designed around a pair of miniature, low-power dual Directly Heated Triode (DHT) vacuum tubes.
5. Dual Amplification Operation (DAO): allow users to switch between Pure Class A and Class AB amplification modes

6. Dual input mode: on top of regular line in mode, C9 can operate in pre-in, or pure power amp. mode, with volume control disabled and all stages operate at full capacity.
7. C9 employs a highly linear volume control system that composed of a 4-channels ALPS potentiometer with a pair of low noise, low distortion resistance ladder based stereo electronic volume.
8. Selectable High/Low gain that is widely applicable to both input modes (Line and Pre) and all amplification operation (Class A or Class AB), enhance pairing with different earphones and headphones.
9. Removable battery module that houses 4x18650 rechargeable lithium batteries. Users can acquire and replace the batteries conveniently to extend the battery duration when needed.
10. Support both standard (10V) and QC3.0 (18V) battery charging through USB-C connector. (USB charger not included in the package).

## ● Control and Features -----

### 1. Input Mode

Line : LINE Input Mode  
(Fixed voltage input);

Pre : PRE-amp Input Mode  
(Variable voltage input).


### 2. Gain Control


- L: low gain, recommend for regular earphones or headphones  
H: high gain, provide extra gain during amplification for demanding earphones or headphones

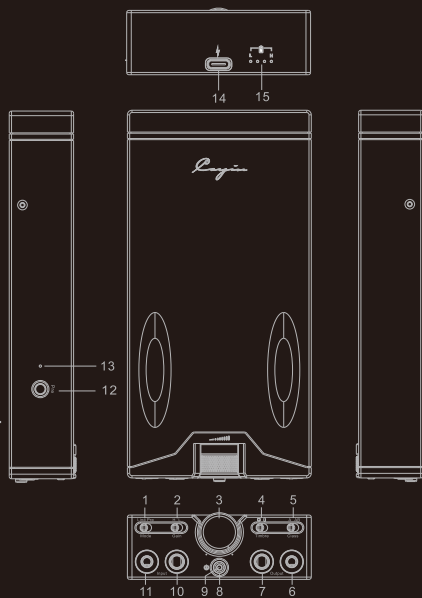
### 3. Volume Control

Rotate clockwise to increase volume;  
Rotate anti-clockwise to decrease volume.

### 4. Timbre Selection

"  " Vacuum Tubes timbre. The timbre circuit will preheat the vacuum tube (around 5 seconds) before switching, the power indicator will flash during the preheat process.

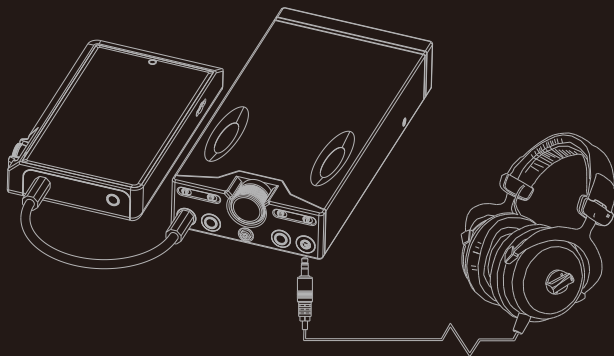
"  " Solid State timbre;



5. Amp. Operation Mode  
A:Class A Operation mode;  
AB:Class AB Operation mode.
6. 3.5mm Single-ended Phone Out  
Insert your 3.5mm terminated earphone or headphone here to enjoy the single-ended output of C9 headphone amplifier.
7. 4.4mm Balanced Phone Out  
Insert your 4.4mm terminated earphone or headphone here to enjoy the balanced output of C9 headphone amplifier.
8. Power ON/OFF  
ON:Press the button to turn on the device, the indicator lights on;  
OFF: When the device is on, press the button to turn off the device, the indicator will be off.
9. Power indicator  
Indicates the device's operation status:  
Indicator on: normal status;  
Indicator flashes slowly: Initialization when power on or preheating the vacuum tubes;  
Indicator flashes rapidly: Failure occurs of the device.
10. 4.4mm Balanced Audio input  
Connect your 4.4mm terminated balanced LINE or PRE-amp audio source to the device.
11. 3.5mm Single-ended Audio input  
Connect your 3.5mm terminated single-ended LINE or PRE-amp audio source to the device.
12. PRE-amp input activator  
Two-steps secured procedure to switch from LINE input mode to PRE-amp input mode
13. Pre input indicator  
Indicator on: the device is in PRE-amp input mode;  
Indicator off: the device is in LINE input mode
14. USB Type-C Connector  
The device will start to charge up the batteries when you connect the device to a USB charger via a Type-C USB cable (as supplied).  
Supports standard charging mode, PD and QC3.0 fast charging protocols.
15. Charging and Battery indicator  
When "H" lights up, the battery is at high level;  
When "L" lights up, or the four indicators are off, the battery is at low level;  
The indicators will flash during charging. When fully charged, all four indicators will stay instead of flashing.

## ● Setting Up and Balanced/Single-Ended Conversion -----

The following diagram will explain the system setup and cable connection between Cayin C9 headphone amplifier and N6ii Digital Audio Player with 02 Audio Motherboard



C9 connected with N6ii (A02) and headphone

1. As illustrated in the diagram, N6ii (A02) is connected to C9 with CS-35C35, 3.5mm to 3.5mm single-ended portable Interconnect, and the headphone is connected to the 3.5mm phone output of C9. The complete system is operated in single-ended in this connection.
2. Alternatively if the headphone is terminated with 4.4mm connector, you can connect the headphone to the 4.4mm balanced phone output. C9 will handle the single-end to balanced conversion seamlessly.
3. You can also connect N6ii (A02) to C9 with CS-44C44, 4.4mm to 4.4mm balanced portable Interconnect, the C9 will operated in fully balanced configuration in this connection.
4. If you retain the 3.5mm headphone connection, C9 will also handle the balanced to single-end conversion seamlessly.

## ● Basic Operation-----

1. Connect your audio source equipment to the input socket of the C9.
2. Connect your earphone or headphones to the output socket of the C9.
3. Rotate the volume-knob anti-clockwise to minimal level.
4. Press the Power Button on the front panel, the indicator flashes.
5. Wait for 5 seconds when C9 complete the initialization process.
6. Play music and adjust the volume on C9 to a comfortable listening level. You can now enjoy your music.

## Notice:

1. Make sure the input and output equipment is connected to the correct sockets on the C9 securely.
2. To avoid damaging the C9, please DO NOT use mono headphones with the device, as it would cause a short circuit in the device.
3. To prevent damaging your hearing, please moderate the volume to a comfortable level in your listening session.

## ● Using PRE-amp input Mode -----

When C9 operates in PRE-amp input mode, it is basically functioning as a power amplifier with volume control disable (set to 0dB attenuation) and all amplification circuit operate in full power. Since C9 is a very powerful headphone amplifier, so we must take appropriate precaution to make sure the PRE-amp mode will not be activated "accidentally" or before the uses has prepared his system properly.

The following 2-steps secure procedure will switch the C9 headphone amplifier form LINE input mode to PRE-amp input mode:

1. Turn down the volume control of C9, set the input MODE switch to PRE
2. Connect your PRE-amp music source to one of the input connector, we recommend you to turn down the volume of your source equipment at this point.
3. Connect your earphone or headphone to one of the output connector
4. PRESS and HOLD the Pre-amp Input Activator for 3 seconds.
5. You'll hear a click sound when the switching kicks in, and the Pre input indicator will light up
6. The C9 is now operated in PRE-amp input mode. You can turn up the volume at the pre-amp music source (the volume control of C9 is disabled).
7. When input or/and output devices is disconnected, or when C9 is restarted, the amplifier will "deactivate" PRE-amp input mode and switch back to LINE input mode automatically despite the setting of input MODE switch, that's why we remind you to turn down the volume of C9 before you use PRE-amp input mode.
8. When you change your music source or headphone, you need to activate PRE-amp input mode again by repeating step (4)

## Warning:

The PRE-amp input mode is designed to work with audio source device with Pre-amp output, or in technical terms, a variable voltage output with a user-controllable volume. You MUST NOT connect the Line Out of DAP, DAC or whatever source equipment without a Pre-amp output to C9 in PRE-amp input mode.

## ● Charging and Battery Care -----

1. C9 uses 4 pieces of rechargeable, user-replaceable 18650 Lithium batteries.
2. You can charge up the Lithium batteries through the USB Type-C connector, C9 is compatible with standard USB charging adaptors, it also supports PD and QC3.0 fast charge protocols.
3. You can use the supplied USB Type-C cable to charge the device.
4. When the device is charging, the charging and battery indicator will flash to show the current battery level. When the batteries are fully charged, all 4 indicators will light up.
5. We recommend you to turn off the device before charging, it takes around 3 hours to charge up the batteries with QC3.0 fast charger.
6. Charging time might extended if there is a significant different among the voltage (or capacity) of the four lithium batteries
7. The battery module is detachable from main chassis of C9 and can function as a 18650 battery charger independently. You can acquire the battery module separately, and we recommend heady duty users will purchase an extra battery module and second set of 18650 batteries as back-up power supply.
8. All Lithium batteries, including the 18650 batteries in C9, have a limited number of charging cycles. Appropriate battery care can extend the lifetime of the battery. Lithium battery does not have memory effect, it can be charged regardless of its current capacity, given that it has no negative effect in its performance, shallow charging pattern is recommended.
9. If the battery has been used without a complete full discharge after a very long period, it might result in inaccurate gauge and lead to incorrect battery capacity estimation, a full discharge followed by a full charge immediately will calibrate the gauge.
10. Temperature effects are important for the proper battery management, the appropriate temperature condition to charge the Lithium batteries is  $-10^{\circ}\text{C}$  to  $30^{\circ}\text{C}$ .

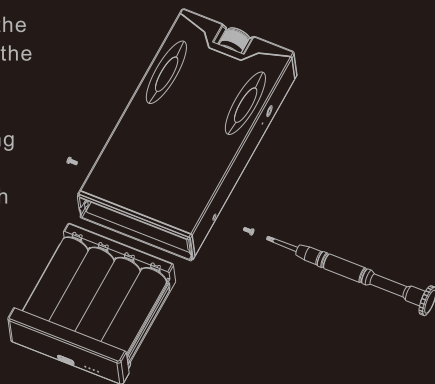
### **Warning:**

1. Since the Battery module and the C9 audio circuit didn't share a common ground, so it is likely that there will be potential different between the two grounds. Therefore it is very important to charge the battery with a separate USB charger. Using the USB from connected audio source equipment (such as computer or media player) to charge up the C9 batteries will trigger the short circuit protection mode, and might even damage the device and/or connected source equipment.
2. In case your C9 battery module entered protection mode, you need to connect the battery module to a charger, charge it for at least 10 seconds, and the battery module will then revoke from protection mode and resume normal operation.



## ● Removing and installing the Battery Module -----

1. To remove the battery module from C9, unscrew the left and right screws with the supplied T6 screwdriver, and then pull the entire battery module out.
2. To install the battery module, align the battery module against the rear opening of C9, push the battery module into the device's and tighten the screws on both sides.



Power Supply Module Dis-assembly Diagram

### Replacing the 18650 Batteries:

If the lithium batteries need to be replaced because of aging or whatever reason, you can remove the battery module from the device as illustrated in the above diagram and take out the batteries carefully. When you install new batteries, make sure that the positive and negative polarity of each battery is corrected. Reversing the battery polarity may damage the battery, the battery module and/or amplifier components.

### Notice:


After replacing or dismantling the battery, the battery module enters protective mode, you need to connect the battery module to a charger, charge it for at least 10 seconds, and the battery module will then revoke from protection mode and resume normal operation.

### Warning:

1. Strongly recommend using the 18650 batteries for this device exclusively. DO NOT share the batteries with other devices, and DO NOT use the battery separately from the battery module.
2. The battery must be installed according to polarity specified on the battery module.
3. DO NOT short-circuit the battery.
4. DO NOT dismantling the battery, hitting, crushing or exposing it to fire.
5. If your battery is swelling, DO NOT use the device, remove and replace the battery immediately.
6. DO NOT expose it in high temperature.
7. DO NOT use the device after rinsed or soaked in water.

## ● Safety Precautions -----

1. Please DO NOT use the C9 to listen to music when driving or in other inappropriate situations.
2. Listen to loud volume over a prolonged period of time may damage your hearing, please turn the the volume to an appropriate level when listening to the device. If you feel tinnitus, turn the volume down or stop using the device.
3. The device will not functional appropriately if moistures has developed inside the device, please avoid operate the device until internal moistures has cleared. Moistures can be caused by:
  - Placing the device at a location with excessive steam or adjacent to a humidifier
  - Placing the device at a location when the heating has just turned on
  - Placing the device at a high temperature environment
  - Moving the device from a cold environment to a warm location;
  - Moving the machine from a chilled (e.g., air conditioned room) to a hot and humidity environment.
4. DO NOT connect the device to a USB charger for an extended period of time, keep the unit in a proper condition and charge it regularly.
5. Please use soft, clean, dry cloth to wipe clean the chassis, do not use volatile solution or corrosive cleaning product.
6. The device must be keep away from water dripping or water splitting, do not place any object filled with liquid such as cup of water on the top or around the device
7. Avoid tempering or dropping the device, do not sit on the device or placing the device under heavy object.
8. Do not attempt to disassembly the machine, all service and maintenance must be conducted by authorized service technician.
9. The device will become hot during operation, Please keep the device at a well-ventilated environment.
10. The battery life of the device may be temporarily reduced when operate in low temperature environments.
11. Used electronic equipment and batteries need to be disposed of in accordance with local environmental regulations.

 The product is suitable for use at an altitude of 2,000 metres and below and in non-tropical climatic conditions.

● Troubleshooting-----

Symptom	Explanation	Remedial Action	
Unable to turn on	The battery is too low to be powered on	Charge the battery and try to turn on again.	
	Power off automatically after initialization (flashing indicator)	Charge the battery and try to turn on again.	
	The temperature of using environment is too high or too low	Avoid using the devices in extreme temperature environment	
No sound from headphones	The device is off	Turn on the device	
	Low battery	Charge the device	
	The device is in protective mode	Charge the device for at least 10 seconds	
	Input and/or output devices are not connected properly	Follow the instructions and connect the equipment correctly	
	Bad headphone connections		Make sure the headphone cable is properly connected
			Make sure the headphone cable is in perfect working condition
	The headphone is damaged	Replace the headphone	
	Volume is too low	Turn up the volume gradually	
The audio source is not playing	Make sure the audio source is playing back and output signal to the device properly		
Cannot be charged	Batteries failure	Install new compatible batteries	
	Short-circuit protection is triggered	Unplug all cables immediately, charge the device for at least 10 seconds, follow the instruction to reconnect all cables	
	Charger failure	Replace the charger	
Auto shut down while playing	The battery is too low	Charging before using again, avoid using the device when the battery is too low	

• **Product Specification**-----

Headphone Output						
Setting		Parameter				Test Condition
Loading		16Ω	32Ω	150Ω	300Ω	
Power 3.5mm SE	Tube/Solid state	1200mW	700mW	160mW	80mW	High/Low Gain
Power 4.4mm BAL	Tube/Solid state	4100mW	2600mW	640mW	320mW	High/Low Gain
Freq. Response	Tube/Solid state	15Hz-60kHz(±0.5dB)				High/Low Gain
Single-Ended/Balanced Conversion		SE>SE	BAL>SE	SE>BAL	BAL>BAL	
THD+N	Solid state	0.0046%	0.008%	0.005%	0.003%	@1kHz, 1Vrms, A-Weighted
	Tube	0.03%	0.03%	0.05%	0.03%	
Dynamic Range	Solid state	120dB	114dB	114dB	123dB	High Gain A-Weighted 20Hz-20kHz
	Tube	112dB	111dB	111dB	114dB	
	Solid state	122dB	119dB	119dB	125dB	Low Gain A-Weighted 20Hz-20kHz
	Tube	118dB	117dB	117dB	120dB	
SNR	Solid state	120dB	114dB	114dB	123dB	High Gain A-Weighted 20Hz-20kHz
	Tube	112dB	111dB	111dB	114dB	
	Solid state	122dB	119dB	119dB	125dB	Low Gain A-Weighted 20Hz-20kHz
	Tube	118dB	117dB	117dB	120dB	
Channel Separation	Solid state	75dB		97dB	114dB	@1kHz A-Weighted
	Tube	75dB		90dB	110dB	
Input Sensitivity	Line In	1.5V	3.0V	1.5V	3.0V	High Gain
		3.0V	6.0V	3.0V	6.0V	Low Gain
	Pre In	2.1V	4.2V	2.1V	4.2V	High Gain
		4.2V	8.4V	4.2V	8.4V	Low Gain
Output Impedance	Tube/Solid state	≤50mΩ				High/Low Gain

Note:

1. Unless otherwise stated, all parameters are measured at 32Ω loading.
2. All parameters are measured when the batteries are fully charged.

Battery and Duration				
Battery Duration	Timbre	DAO	Single-Ended (3.5mm)	Balanced (4.4mm)
	Solid State	Class AB	~15 Hours	~10 Hours
		Class A	~12 Hours	~7 Hours
	Vacuum Tubes	Class AB	~9.5 Hours	~9 Hours
Class A		~8 Hours	~5.5 Hours	
Charging Time	Charging Condition	Standard Charger (5V-2A)	Quick Charge (QC3.0)	
	Charging Time	~6 Hours	~3 Hours	

Note:

1. Test condition: Input of a standard line level audio signal, volume at 10 o' clock position, low gain, connected to 32Ω headphones.
2. Charging time might extended if the four lithium batteries are in different voltage (capacity)

**Disclaimer:**

The manufacturer, distributor, importer and reseller will not responsible for any damage caused by improper usage or operation of this product, including accidental or human damage.

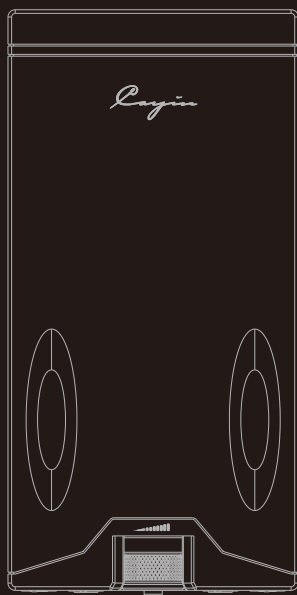
The user manual is a documentation of the product based on the specification at the time of print. Cayin might include additional features or introduce new technologies subsequently. We reserve the right to make changes or additions to the information and data provided, such as technical specifications and product designs, without prior notice.

Under no circumstances will manufacturer, importer and reseller responsible for damage or loss of data or associated equipment as a result of using this product.

We reserve the right to refuse service, including but not limited to warranty, repair and after sales support on all products that have been repaired or modified by unauthorized technical personnel or acquired through unauthorized sales channel.

*Rayin*  
凯音

□9 ポータブルヘッドホンアンプ



ユーザーマニュアル

究極のポータブルヘッドフォンアンプ、Cayin C9をお選びいただきありがとうございます。

ご使用前に、ユーザーマニュアルをご確認ください。

### 注意事項:

1. 本機C9は高出力が可能なヘッドホンアンプです。イヤホンまたはヘッドホンをC9に接続する前に、音量を最小にしてください。
2. 音量を快適なレベルにご調整ください。大音量で長時間使用すると、聴力に影響がある可能性がありますのでご注意ください。
3. C9ヘッドフォンアンプの優れたオーディオパフォーマンスを最大限発揮するために、高性能イヤホンまたはヘッドフォンと一緒にご使用することをお勧めいたします。

### ● 同梱品一覧 -----

内容品	数量
C9 ポータブルアンプ	1
C9 バッテリーモジュール (C9本体に装着済み)	1
リアパネル用ガラスプロテクター	1
CS-35C35 (3.5mm to 3.5mmミニミニケーブル)	1
CS-44C44 (4.4mm to 4.4mmバランスオーディオケーブル with GND)	1
USB Type-C充電ケーブル	1
バッテリーモジュール用予備ネジ	1
T6ドライバー (バッテリーモジュール用)	4
ユーザーマニュアル	1

万が一、同梱品に欠品がある場合は、ご購入店までご連絡くださいませ。

### ● 特徴 -----

1. 本機はフルバランスかつフルディスクリット設計、4チャンネルヘッドフォンアンプで、各チャンネルあたり最大4100mWを供給します (負荷: 16Ω)
2. 本機は入力と出力の両方で3.5mmシングルエンドと4.4mmバランスをサポートし、アンプ回路はシングルエンドヘッドフォンへのバランス入力、およびシングルエンド入力からバランスヘッドフォンへのバランス入力も最適化しています。
3. 2つの音色を選択可能: バランス入力とシングルエンド入力の両方で真空管とソリッドステートを選択することが可能です。



4. 真空管アンプ回路は、小型かつ低電力である2つの直熱三極管（DHT）のペアを中心に設計しています。
5. 2つのアンプ操作（DAO）：純クラスAとクラスABのアンプモードを切り替えることが可能です。
6. 2つの入力モード：ライン入力に加えて、プリアンプ入力、または純パワーアンプとして動作します。この時、本機のボリュームコントロールは無効になり、すべてのモードにおいてフルパワーで動作します。
7. ボリュームコントロールシステムはリニアボリュームシステムを採用し、ALPS社製の低ノイズ、低歪み性能の4チャンネル抵抗ラダー型ステレオ電子ボリュームコントロールを採用しています。
8. 2つの入力モード（ラインインとプリイン）と2つのアンプモード（クラスAとクラスAB）の両方に対応した選択可能な高/低ゲインにより、さまざまなイヤホンやヘッドホンでお楽しみいただけます。
9. 本機のバッテリーは、4つの充電式リチウム電池（18650）を収納する取り外し可能な電池モジュールを採用。必要に応じてユーザー様ご自身でバッテリーの交換が可能です。
10. USB-Cコネクタ経由の標準（10V）とQC3.0（18V）の両方のバッテリー充電をサポート（QC3.0 USB充電器は同梱品に含まれておりません）。

## ● 操作方法-----

### 1. 入力モード

- Line：ライン入力（固定電圧入力）
- Pre：プリアンプ入力モード（可変電圧入力）

### 2. ゲインコントロール

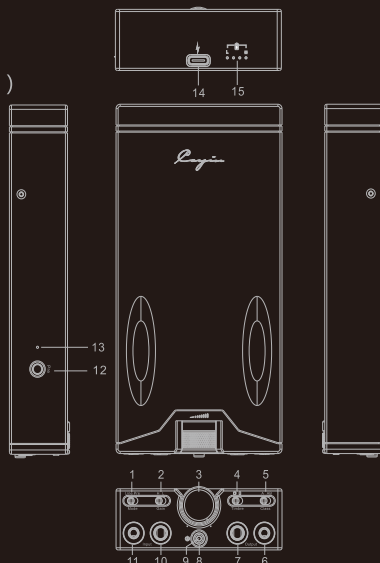
- L：ローゲイン → 一般的なイヤホンやヘッドホン推奨
- H：ハイゲイン → 高い要求レベルのイヤホンやヘッドホン推奨

### 3. ボリューム調整ノブ

- 7時の位置が0として、時計回りでボリュームアップ
- 反時計回りでボリュームダウン

### 4. 音色の選択

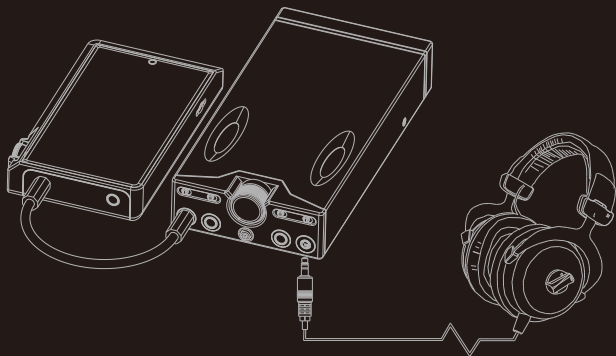
- "□": ソリッドステート
- "〇": 真空管 → 真空管を温めるために切り替わるまで約5秒要します。真空管を温めている間はパワーインジケータが点滅します。



5. アンプ駆動モード
  - A : クラスA
  - AB : クラスAB
6. 3.5mmシングルエンドフォンアウト  
3.5mmプラグのイヤホンもしくはヘッドホンをご使用ください。
7. 4.4mmバランスフォンアウト  
4.4mmバランスプラグのイヤホンもしくはヘッドホンをご使用ください。
8. パワーボタン : オン / オフの切り替え
  - ON : ボタンを押すと起動して、パワーインジケーターが点灯します。
  - OFF : 起動時にボタンを押すと本体電源オフになり、パワーインジケーターが消灯します。
9. パワーインジケーター  
本機の動作モードを表示します。
  - 点灯 : 通常起動
  - ゆっくり点滅 : 起動直後、もしくは真空管モードに切り替え時に真空管を約5秒温めている間
  - 急速に点滅 : エラー発生
10. 4.4mmバランス入力  
4.4mmプラグのラインもしくはプリアンプオーディオソースをバランス入力
11. 3.5mmシングルエンド入力  
3.5mmプラグのラインもしくはプリアンプオーディオソースを入力
12. プリアンプ入力起動ボタン  
ライン入力モードからプリアンプ入力モードに切り替えるための2段階の安全手順として、使用します。プリアンプ入力モードに切り替え方法は「プリアンプ入力モードのご使用方法」をご参照ください。
13. プリアンプ入力インジケーター
  - 白色LED点灯 : プリアンプ入力モード
  - 白色LED消灯 : ライン入力モード
14. USB Type-Cコネクタ
  - Type-Cケーブル ( 付属 ) を経由で本機をUSB端子に接続すると、バッテリーの充電を開始します。
  - 標準の充電モード、パワーデリバリー ( PD ) およびQC3.0急速充電をサポート。
15. 充電及びバッテリーインジケーター
  - 「H」が点灯 → バッテリーは高レベル
  - 「L」が点灯もしくは4つのインジケーターがオフ → バッテリーは低レベル
  - 充電中はインジケーターが点滅します。フル充電時は4つのインジケーターが点灯に切り替わります。

## ● セットアップとバランス/シングルエンドの変換について-----

下記イラストは接続の一例として、Cayin C9とN6ii/A02とのシステムセットアップとケーブル接続を説明しています。



C9にN6ii/A02とヘッドホンを接続

1. イラストの状態は、N6ii/A02の3.5mm出力からC9の3.5mm入力、C9の3.5mmフォンアウトに3.5mmシングルエンドヘッドホンを接続しています。この状態では、C9システム全体がシングルエンドで動作します。
2. イラストの状態で、もしも4.4mmバランスヘッドホンをC9の4.4mmバランスフォンアウトに接続した場合、が4.4mmコネクタで終端されている場合は、C9はシングルエンドからバランスへの変換を瞬時にを行います。
3. N6ii/A02の4.4mmバランス出力からC9の4.4mmバランス入力に接続することも可能です。この接続時において、C9はフルバランスで動作します。
4. 上記3のフルバランス接続時に、C9の3.5mmフォンアウトに3.5mmヘッドホンを接続した場合、C9はバランスからシングルエンドへの変換を瞬時にを行います。

## ● 基本操作-----

1. オーディオソースをC9の入力に接続します。
2. ご使用のイヤホンもしくはヘッドホンをC9の出力端子に接続します。
3. ボリューム調整ノブを反時計回りに回してボリュームを最小にセットします。
4. パワーボタンを押して起動すると、パワーインジケータが点滅します。
5. 起動プロセスの完了まで約5秒間お待ちください。
6. オーディオソースの音楽を再生し、C9の音量を快適なリスニングレベルに調整します。どうぞ音楽を楽しみください。

## 注意：

1. 入力および出力機器がC9の各端子にしっかりと接続されていることをご確認ください。
2. モノラルヘッドホンもしくはモノラルイヤホンにC9に接続すると、ショートしてC9に不具合が発生する可能性があります。モノラルヘッドホンもしくはモノラルイヤホンのご使用はお控えください。
3. 聴覚保護のために、リスニング時は音量を快適なレベルに調整してください。

## ● プリアンプ入力モードのご使用方法 -----

C9がプリアンプ入力モードで動作する場合、ボリュームコントロールが無効（0dB減衰）のパワーアンプとして機能し、すべてのアンプ回路がフルパワーで動作します。C9は非常に強力なヘッドホンアンプであるため、プリアンプ入力モードに「誤って」切り替わってしまうことがないように、プリアンプ入力モードへの切り替えには2ステップの手順がごさいます。

次の2ステップの手順により、C9ヘッドホンアンプが安全にライン入力モードからプリアンプ入力モードに切り替わります。

1. C9の音量を下げて、入力モード切替スイッチをPreに設定します。
2. プリアンプのオーディオソースをC9の入力端子（3.5mmもしくは4.4mm）に接続。この時点で、オーディオソース機器の音量を下げることをお勧めいたします。
3. イヤホンまたはヘッドホンをC9のフォンアウト端子（3.5mmもしくは4.4mm）に接続。
4. プリアンプ入力起動ボタンを約3秒間長押しします。
5. 切り替えが始まるとクリック音が鳴り、プリアンプ入力インジケータの白色LEDが点灯します。
6. これでC9はプリアンプ入力モードで動作します。プリアンプのオーディオソース機器にて音量を調整することができます（C9本体のボリューム調整は無効となります）。
7. プリアンプ入力モード動作中に入力または出力デバイスが切断された場合、またはC9が再起動された場合、C9本体はプリアンプ入力モードは「非アクティブ」となり、入力モード切替スイッチの設定に関係なく自動的にライン入力モードに戻ります。この設計のために、プリアンプ入力モードを使用する前に、C9本体の音量を下げることを推奨しております。
8. 音楽ソースやヘッドホンを変更する場合は、手順（4）を繰り返してプリアンプ入力モードを再度有効にする必要があります。

## 警告：

プリアンプ入力モードは、プリアンプ出力を備えたオーディオソース機器との接続時に

動作するように設計されています。あるいは、ユーザーが調整可能なボリュームを有する可変電圧出力と動作するとも言えます。プリアンプ出力機能がないDAP、DAC、またはその他のオーディオソース機器におけるライン出力を、C9のプリアンプ入力モードで使用しないようご注意ください。

## ● 充電とバッテリーのケアについて -----

1. C9は、リチウム電池 ( 18650 ) を4個使用しています。
2. USB Type-Cコネクタ経由でリチウム電池を充電することが出来ます。C9は標準のUSB充電アダプターと互換性があり、パワーデリバリー ( PD ) およびQC3.0急速充電をサポート。
3. 付属のUSB Type-Cケーブルを使用して本体バッテリーを充電することが出来ます。
4. 充電中は充電及びバッテリーインジケーターが点滅して、現在のバッテリーレベルを表示します。バッテリーが完全に充電されると、4つのインジケーターが点灯に切り替わります。
5. 充電する前にC9本体の電源をOFFにすることをお勧めいたします。QC3.0急速充電器で充電する場合、フル充電まで約3時間かかります。
6. 4個のリチウム電池の電圧 ( または容量 ) が均一でない場合、充電時間が長くなる可能性があります。
7. バッテリーモジュールはC9本体から取り外し可能で、18650バッテリー充電器としても使用することが出来ます。C9バッテリーモジュールは別売りにてご購入可能です。ヘビーユーザー様は、予備のバッテリーモジュールとリチウム電池 ( 18650 ) をバックアップ電源としてご用意いただくことで、ご安心して長期間C9をご愛用いただけましたら幸いです。
8. C9のリチウム電池 ( 18650 ) を含むすべてのリチウムバッテリーの充電サイクル数には限りがございます。適切なバッテリーケアは、バッテリーの寿命を延ばすことが出来ます。リチウム電池はメモリー機能がなく、電流容量に関係なく充電できます。性能に悪影響がなくバッテリーの寿命を維持するために、浅い充電パターンをお勧めいたします。
9. バッテリーが長期間に渡り完全な放電状態 ( 0% ) になることなく使用した場合、バッテリーの残量表示に誤差が生じる可能性があります。その際は、一度完全な放電状態 ( 0% ) にした後、すぐに完全に充電すると、残量表示が正確な状態に改善されます。
10. リチウム電池を充電するために適切な温度条件は-10°Cから30°Cです。

### 警告：

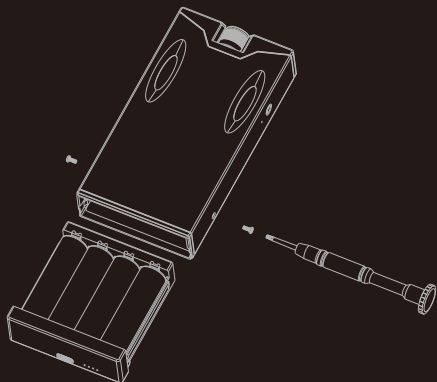
1. バッテリーモジュールとC9オーディオ回路は共通のアースを共有していないため、2つのアース間で電位が異なる可能性があります。C9に接続しているオーディオソース機器 ( コンピューターやメディアプレーヤーなど ) のUSBを使用してC9バッテ

リーを充電するとショートして、デバイスや接続されたソース機器が損傷する可能性があります。したがって、C9のバッテリー充電は、接続しているオーディオソース機器のUSB経由で充電することがないようにご注意ください。

2. C9バッテリーモジュールは安全設計により保護モードに入る場合がございます。その際は、約10秒間充電すると保護モードが解除され通常の動作に戻ります。

## ● バッテリーモジュールの脱着方法 -----

1. C9本体からバッテリーモジュールを取り外す際は、付属のT6ドライバーで左右2箇所のネジを外して、バッテリーモジュール全体を引き出します。
2. バッテリーモジュールをC9本体に取り付ける際は、バッテリーモジュールをC9の背面開口部に合わせ、バッテリーモジュールをC9本体に押し込み、左右2箇所のネジを締めます。



バッテリーモジュールの取り外しイラスト

リチウム電池 ( 18650 ) の交換:

経年劣化などでリチウム電池 ( 18650 ) の交換が必要な場合は、上イラストのように電池モジュールをC9本体から取り外し、リチウム電池 ( 18650 ) を慎重に取り出してください。新しいリチウム電池 ( 18650 ) を取り付ける際は、各電池のプラス極とマイナス極の向きを必ず確認してください ( バッテリーモジュールにプラス極とマイナス極の向き表記あり )。バッテリーの極性を逆にすると、バッテリー、バッテリーモジュール及びC9本体が損傷する可能性があります。

### 注意 :

バッテリーの交換または取り外し後、バッテリーモジュールは保護モードになります。バッテリーモジュールを約10秒間充電すると、バッテリーモジュールは保護モードから解除され、通常の動作に戻ります。

## 警告：

1. リチウム電池（18650）を使用するにあたり、本機専用の18650バッテリーとしてご利用いただくことを強くお勧めいたします。リチウム電池（18650）を他のデバイスと共有したり、リチウム電池（18650）をバッテリーモジュールから取り外して他の機器でのご使用はお控えください。
2. リチウム電池（18650）は、バッテリーモジュールに記載がある極性に従って取り付けする必要があります。
3. バッテリーをショートさせないでください。
4. リチウム電池（18650）を分解したり、叩いたり、押しつぶしたり、火に近づけたりしないでください。
5. もしもバッテリーが膨張した場合は、すぐにC9のご使用をやめて、膨張したりリチウム電池（18650）を取り外して交換してください。
6. バッテリーを高温にさらさないでください。
7. C9本体を水に浸すことは厳禁です。

## ● 安全上のご注意 -----

1. 運転中やその他の不適切な状況でのご使用はお控えください。
2. 大音量で長時間聴くと聴力を損なう可能性があります。C9のご使用時は音量を適切なレベルに調整してください。耳鳴りを感じる場合は、音量を下げるか、デバイスの使用を中断してください。
3. C9内部に湿気が発生すると適切に機能しません。内部の湿気がなくなるまでご使用をおやめください。湿気は次の原因で発生する可能性があります。
  - 蒸気の多い場所、もしくは加湿器の近くにC9を置く
  - 暖房がオンになったばかりの場所にC9を置く
  - C9を高温環境に置く
  - C9を寒い環境から暖かい場所に移動する
  - C9を冷蔵（エアコン付きの部屋など）から高温多湿の環境に移動する

● トラブルシューティング-----

症状	原因	対処法
電源が入らない	バッテリー残量不足	バッテリーを充電後、再度電源を入れる
	初期化後に自動的に電源がオフになります（パワーインジケータが点滅）	バッテリーを充電後、再度電源を入れる
	ご使用環境の気温が高すぎる、もしくは低すぎる	極端な温度環境でのご使用はお控えください。
接続したヘッドホンもしくはイヤホンから音が聴こえない	C9が起動していない	C9を起動する
	ローバッテリー	C9バッテリーを充電する
	バッテリーが保護モード	C9バッテリーを約10秒以上充電する
	入力もしくは出力端子が正しく接続されていない	接続を確認し、正しく接続する
	ヘッドホンもしくはイヤホン側の接触不良	ヘッドホンもしくはイヤホンケーブルが正しく接続されているか確認する
	ヘッドホンもしくはイヤホンケーブルが正常動作するか確認する	ヘッドホンもしくはイヤホンケーブルが正常動作するか確認する
	ヘッドホンもしくはイヤホンに不具合がある	他のヘッドホンもしくはイヤホンを試してみる
	ボリュームが小さすぎる	徐々にボリュームを上げる
オーディオソースの楽曲が再生されていない	オーディオソースの再生確認及びC9に正しく入力しているか確認する	
充電できない	バッテリー不良	リチウム電池（18650）を交換する
	ショート保護機能が発動	直ちにC9本体に接続しているすべてのケーブルを抜き、C9本体を約10秒間充電する
	充電器側の不具合	他の充電器をお試しくください
再生中に突然電源が落ちる	ローバッテリー	ご使用前にC9バッテリーを充電してください。ローバッテリー時のご使用はお控えください



● 製品仕様-----

フォンアウト						
セッティング		測定値				テスト条件
Loading		16Ω	32Ω	150Ω	300Ω	
Power 3.5mm SE	Tube/Solid state	1200mW	700mW	160mW	80mW	High/Low Gain
Power 4.4mm BAL	Tube/Solid state	4100mW	2600mW	640mW	320mW	High/Low Gain
Freq. Response	Tube/Solid state	15Hz-60kHz(±0.5dB)				High/Low Gain
Single-Ended/Balanced Conversion		SE>SE	BAL>SE	SE>BAL	BAL>BAL	
THD+N	ソリッドステート	0.0046%	0.008%	0.005%	0.003%	@1kHz, 1Vrms, A-Weighted
	真空管	0.03%	0.03%	0.05%	0.03%	
Dynamic Range	ソリッドステート	120dB	114dB	114dB	123dB	High Gain A-Weighted 20Hz-20kHz
	真空管	112dB	111dB	111dB	114dB	
	ソリッドステート	122dB	119dB	119dB	125dB	Low Gain A-Weighted 20Hz-20kHz
	真空管	118dB	117dB	117dB	120dB	
SNR	ソリッドステート	120dB	114dB	114dB	123dB	High Gain A-Weighted 20Hz-20kHz
	真空管	112dB	111dB	111dB	114dB	
	ソリッドステート	122dB	119dB	119dB	125dB	Low Gain A-Weighted 20Hz-20kHz
	真空管	118dB	117dB	117dB	120dB	
Channel Separation	ソリッドステート	75dB		97dB	114dB	@1kHz A-Weighted
	真空管	75dB		90dB	110dB	
Input Sensitivity	Line In	1.5V	3.0V	1.5V	3.0V	High Gain
		3.0V	6.0V	3.0V	6.0V	Low Gain
	Pre In	2.1V	4.2V	2.1V	4.2V	High Gain
		4.2V	8.4V	4.2V	8.4V	Low Gain
Output Impedance	真空管/ソリッドステート	≤50mΩ				High/Low Gain

**追記：**

- 1.特に表記のない項目は、すべてのパラメータは32Ωの負荷で測定しております。
- 2.すべてのパラメータは、バッテリーがフル充電時に測定しております。

Battery and Duration				
連続再生 時間	Timbre	DAO	Single-Ended (3.5mm)	Balanced (4.4mm)
	ソリッドステート	Class AB	~ 15時間	~ 10時間
		Class A	~ 12時間	~ 7時間
	真空管	Class AB	~ 9.5時間	~ 9時間
Class A		~ 8時間	~ 5.5時間	
充電時間	Charging Condition	Standard Charger (5V-2A)	Quick Charge (QC3.0)	
	充電時間	~ 6時間	~ 3時間	

**追記：**

1. 測定条件：標準のラインレベルオーディオ信号の入力、10時の位置での音量、低ゲイン、32Ωヘッドフォンに接続
2. 4つのリチウム電池の電圧（容量）が異なると、充電時間が長くなる可能性があります

## 免責事項:

メーカー、代理店、輸入者、販売店は不適切な本機の使用に基づく人的・物的破損等に責任を負いません。

本ユーザーマニュアルは印刷時点でのスペックに基づいた文書となります。  
Cayin (以下「当社」) は事前の通知なしに製品仕様を変更する権利を保持します。当社は、必要に応じて追加の機能や新しい技術を提供する可能性があります。

本製品の使用によって起きたデータ破損であっても一切の責任を負いません。

認定技術者以外による修理もしくは改造品、または正規販売チャネル以外を通じて取得された製品は、保証、修理、およびアフターサービスの対象外と判断させていただく場合がございます。予めご了承ください。

欢迎扫描二维码访问：



官网



微信号



新浪微博



Facebook

珠海斯巴克电子设备有限公司

[www.cayin.cn](http://www.cayin.cn)

电话：0756-3828711 传真：0756-3828722 E-mail：market@cayin.cn

地址：广东省珠海市联港工业区联发路9号

邮编：519045

重要说明:  为珠海斯巴克电子设备有限公司注册商标！购买是请认清此标志，提防假冒！

V1.0\_20210107