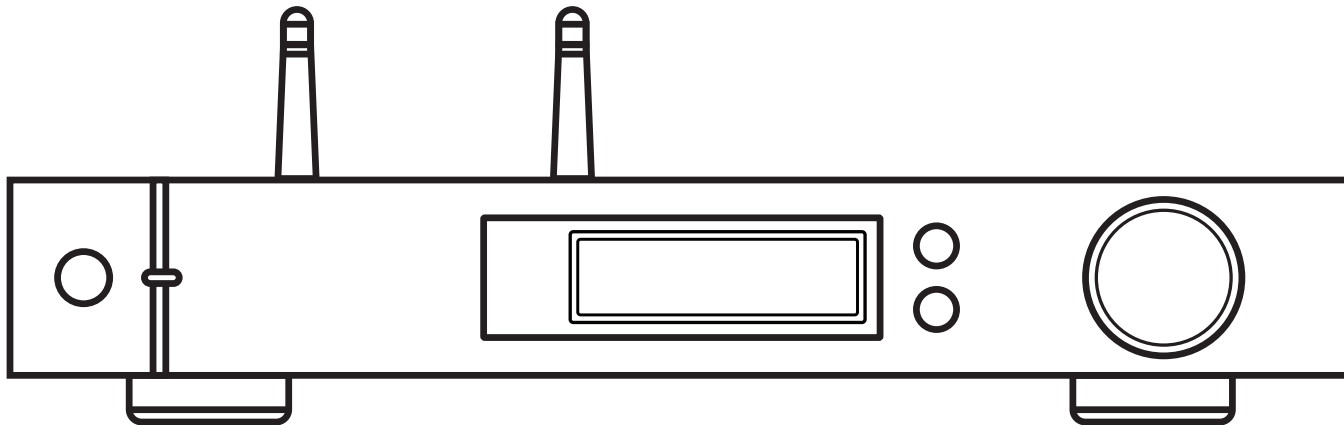


element · 

---

# MUSIC STREAMER COMBO

## User Manual



# HIGH PERFORMANCE AUDIO

[www.matrix-digi.com](http://www.matrix-digi.com)

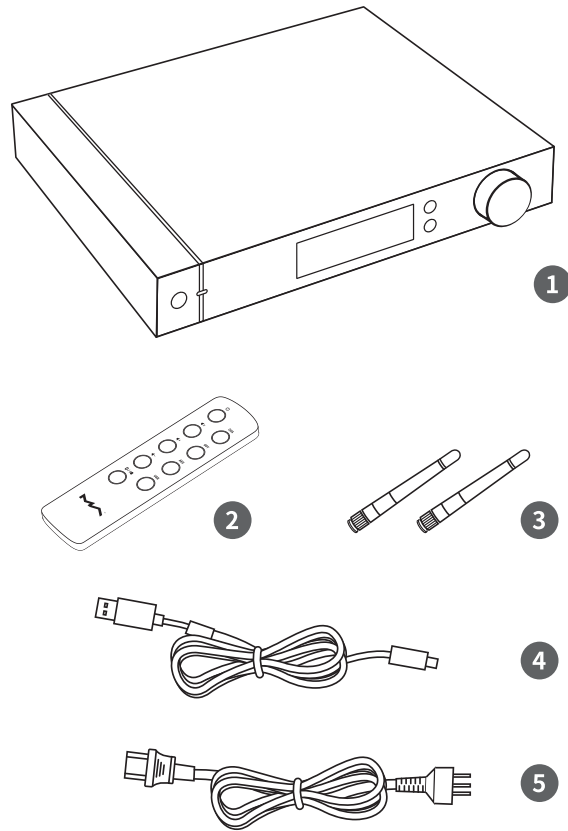
Matrix Electronic Technology Co., Ltd.  
+86-29-65693537  
C2-2411, No.22 FengCheng 2nd Rd,  
Xi'an, China  
[support@matrix-digi.com](mailto:support@matrix-digi.com)



# Catalog

<b>1. Packing list</b> .....	<b>01</b>	4.1.2 Select the input source .....	08	5.9 User defined button settings .....	14
<b>2. Parts and name</b> .....	<b>01</b>	4.1.3 Volume control .....	09	5.10 USB Audio Mode .....	14
2.1 Front panel .....	01	4.1.3.1 Volume adjustment .....	09	5.11 Remote .....	15
2.2 Rear panel .....	02	4.1.3.2 Mute .....	09	5.12 Load Default .....	15
2.3 Display screen .....	02	4.1.3.3 Hearing protection .....	09	5.13 Product information .....	15
2.3.1 Display in main interface area .....	02	4.1.4 Filter settings .....	10	<b>6. Appendix</b> .....	<b>15</b>
2.3.2 Volume control .....	03	4.1.5 Auto sleep and wake up .....	10	6.1 File formats and sampling rate supported ..	15
2.3.3 Display for input channel .....	03	4.1.6 Remote control .....	10	6.2 About MQA .....	15
2.4 Remote control .....	03	4.2 Play music through optical, coaxial or IIS-LVDS port	11	6.3 USB storage device requirements .....	16
<b>3. Connection</b> .....	<b>04</b>	4.3 Play music through AirPlay or DLNA .....	11	6.4 IIS-LVDS Port .....	16
3.1 Connect to AC power .....	04	4.4 Play music in USB storage devices\SD Card\NAS	11	6.5 Technical specifications .....	17
3.2 Connect to input source .....	05	4.5 USB Audio mode .....	11		
3.3 Connect to speakers .....	05	<b>5. Settings</b> .....	<b>13</b>		
3.4 Connect to storage devices .....	06	5.1 PCM Filters .....	13		
3.5 Connect to LAN .....	06	5.2 DSD Filters .....	13		
3.6 Connect to WLAN .....	07	5.3 Dither .....	13		
<b>4. Play</b> .....	<b>08</b>	5.4 Jitter Eliminator .....	13		
4.1 Basic operation .....	08	5.5 DPLL Bandwidth .....	14		
4.1.1 Power on .....	08	5.6 IIS-LVDS Port Definition .....	14		
		5.7 Dimmer .....	14		
		5.8 Auto Sleep .....	14		

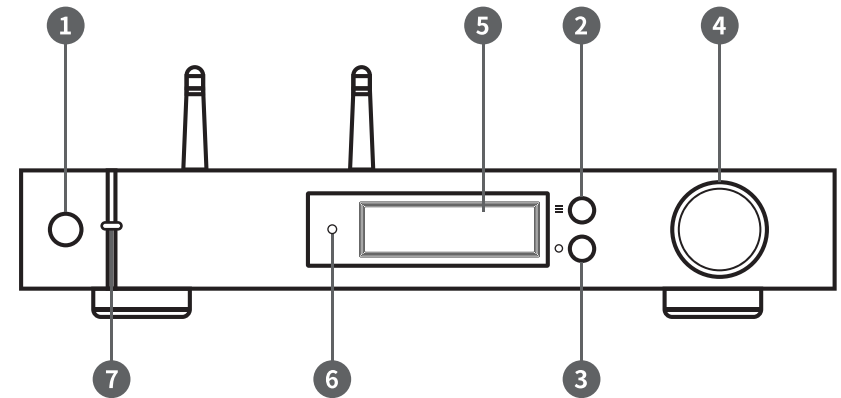
## 1. Packing list



- |                     |                   |
|---------------------|-------------------|
| 1. Product ×1       | 4. USB cable ×1   |
| 2. Remote ×1        | 5. Power cable ×1 |
| 3. Wi-Fi antenna ×2 |                   |

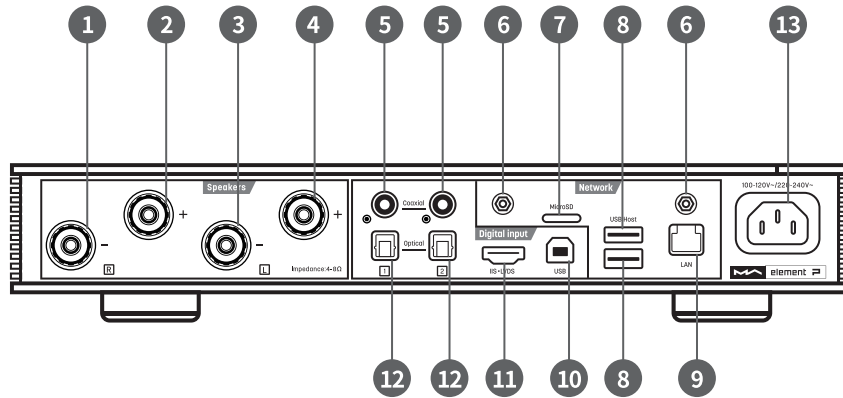
## 2. Parts and name

### 2.1 Front panel



- |                        |                          |
|------------------------|--------------------------|
| 1. Standby             | 5. Display               |
| 2. Menu                | 6. Remote control sensor |
| 3. User-defined        | 7. Indicator light       |
| 4. Volume/control knob |                          |

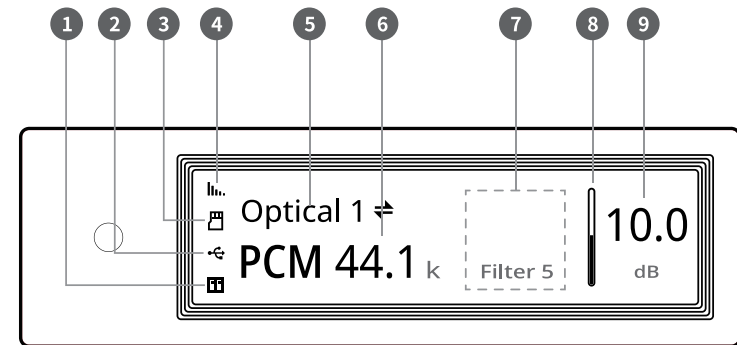
2.2 Rear panel



- |                                   |                    |
|-----------------------------------|--------------------|
| 1. Right channel speaker - output | 8. USB HOST port   |
| 2. Right channel speaker + output | 9. LAN port        |
| 3. Left channel speaker - output  | 10. USB Audio port |
| 4. Left channel speaker + output  | 11. IIS·LVDS input |
| 5. Coaxial input                  | 12. Optical input  |
| 6. Wi-Fi antenna jack             | 13. Power input    |
| 7. MicroSD card slot              |                    |

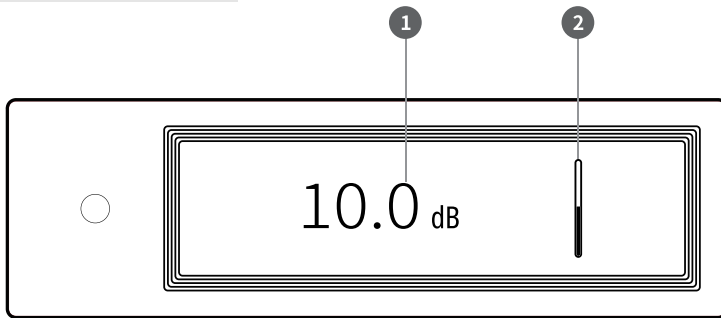
2.3 Display screen

2.3.1 Display in main interface area



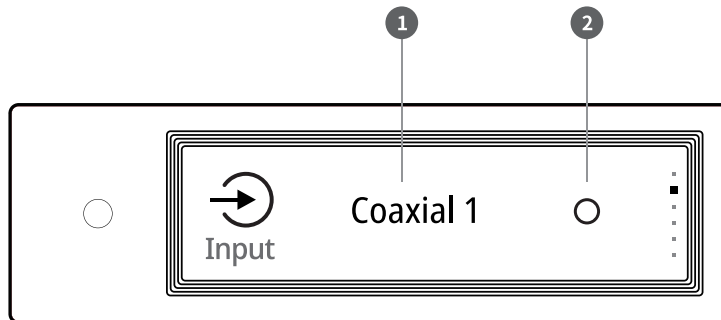
- |   |                           |
|---|---------------------------|
| 1. NAS connection status                | 6. Sampling rate          |
| 2. USB storage device connection status | 7. Auxiliary information  |
| 3. MicroSD card status                  | 8. Volume bar             |
| 4. Wi-Fi and LAN connection status      | 9. Output volume dB level |
| 5. Input channel                        |                           |

2.3.2 Volume control



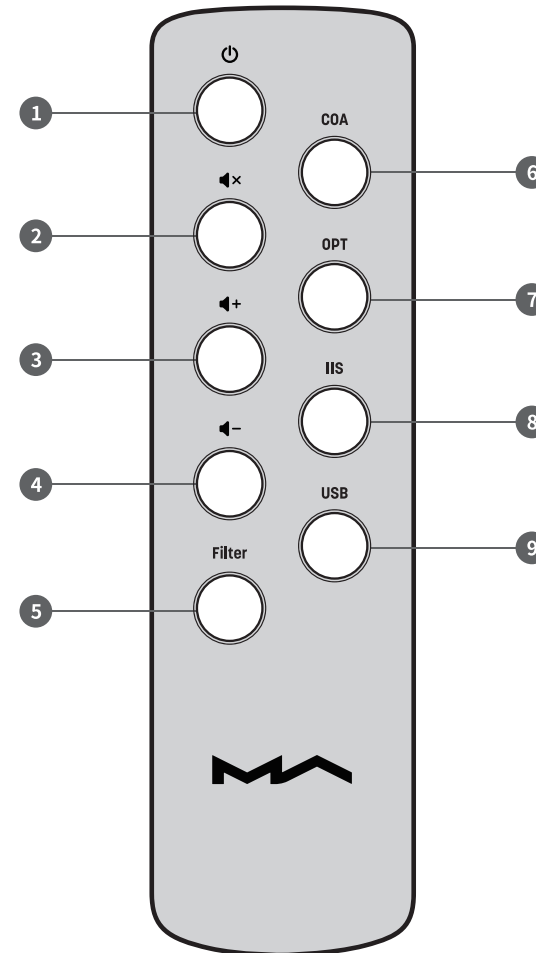
- 1. Current volume dB level
- 2. Volume bar

2.3.3 Display for input channel



- 1. Input channel
- 2. Select indicator

2.4 Remote control



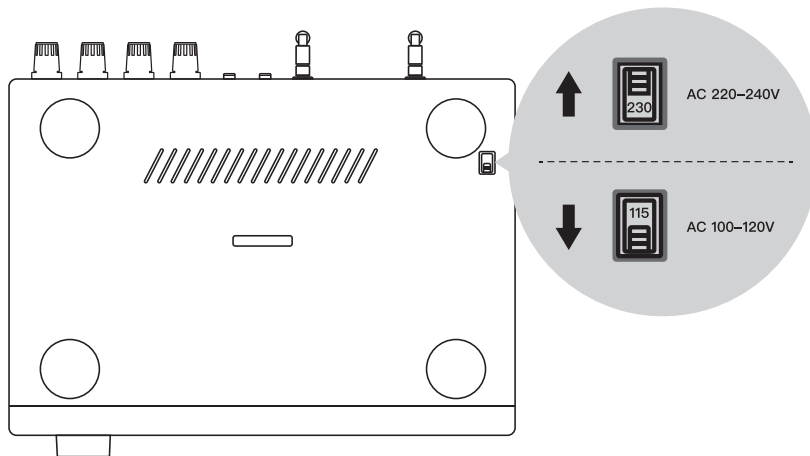
- 1. Standby
- 2. Mute
- 3. Volume+
- 4. Volume-
- 5. Filter
- 6. Coaxial
- 7. Optical
- 8. IIS
- 9. USB

## 3. Connection

### 3.1 Connect to AC power

element P is compatible with AC100-120V and AC220-240V power specifications.

Please make sure to switch the bottom power voltage according to your local voltage environment before using. As shown:



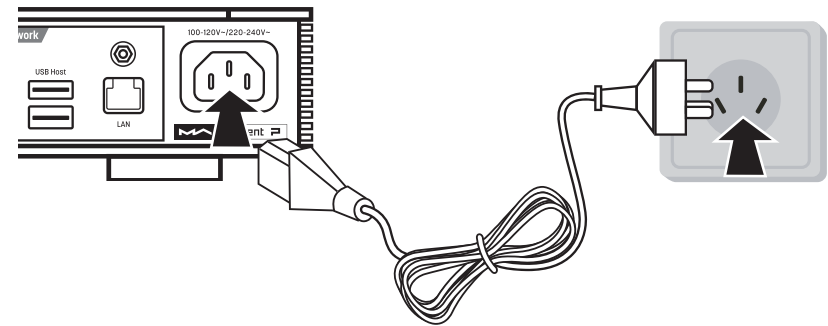
The two sections of the voltage switch are 115V and 230V, each section for:

115V position is fit for AC100V-120V 50/60Hz

230V position is fit for AC220V-240V 50/60Hz

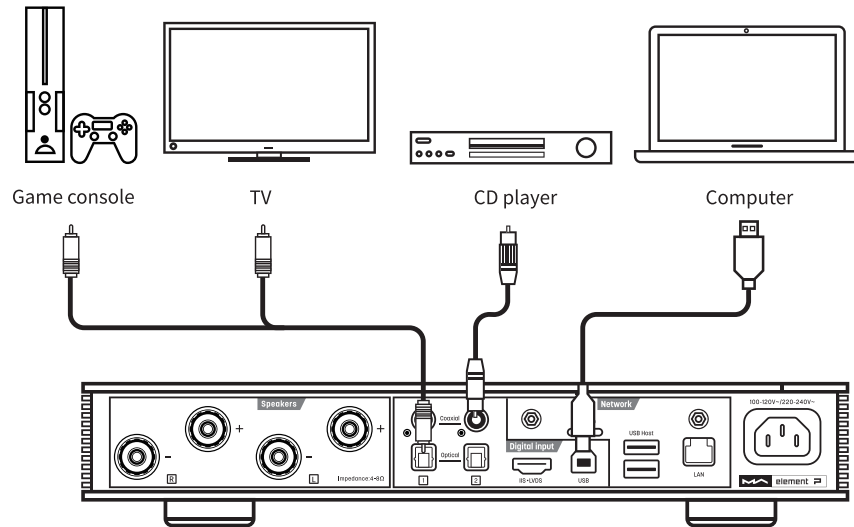
Please use the right three-phase power cable which includes the ground terminal and ensure the ground is reliably connected, or you will have a sense of electric shock when you touch it.

Please unplug the power cable, if you need the element P is disconnected the power thoroughly.



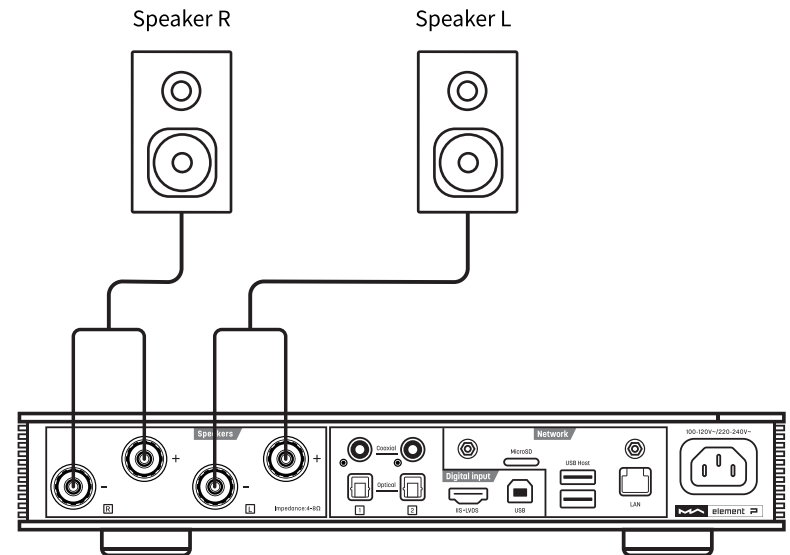
### 3.2 Connect to input source

Connect to front-end devices including S/PDIF output signal through coaxial and optical port, connect to Matrix digital audio interface products through IIS port.



### 3.3 Connect to speakers

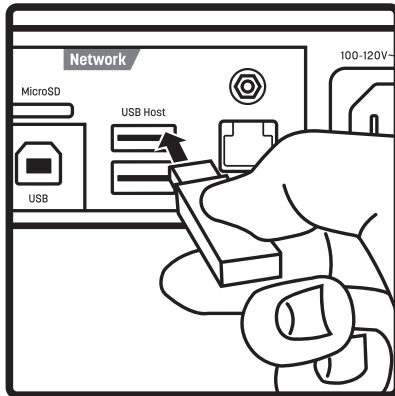
Connect 4-8Ω passive speakers to the connectors at the rear panel of element P. Please disconnect the power supply of element P before connect the speakers to it, and make sure the speaker cables are not shorted.



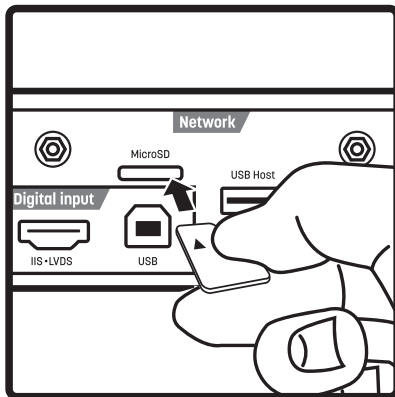


### 3.4 Connect to storage devices

There are two USB Host ports on the rear panel to connect with standard mass storage USB devices.

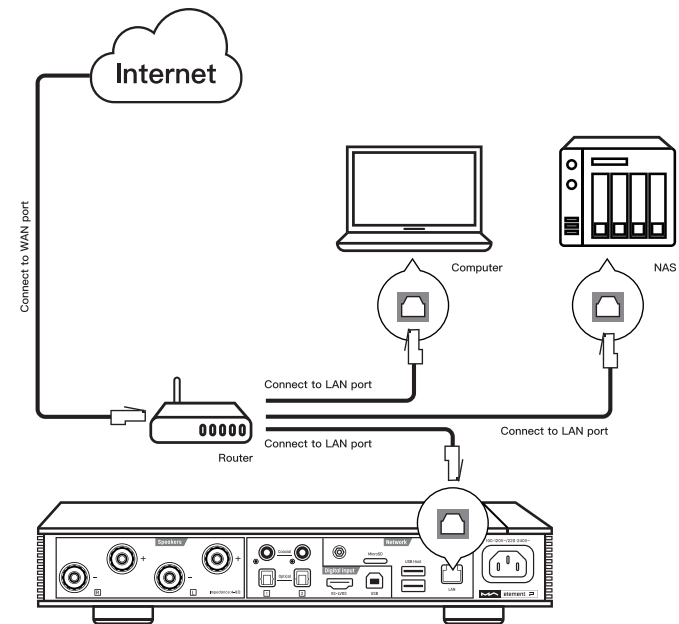


The MicroSD card support up to 128GB, push to install or popup the card.



### 3.5 Connect to LAN

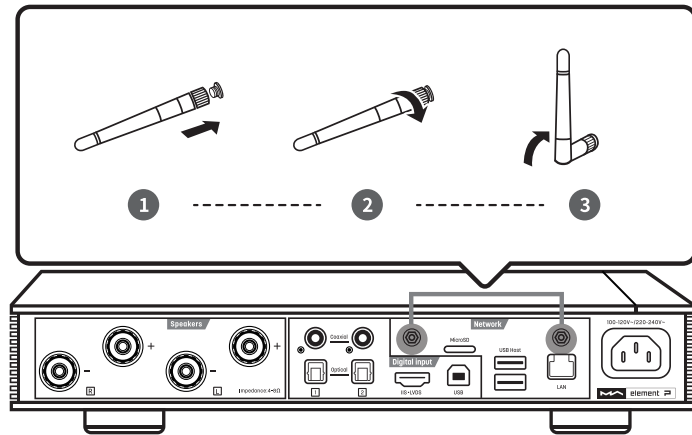
Connect to LAN, please use ethernet cable to connect element P with router ( recommend using CAT-5 or higher version shield ethernet cable), and let element P in the network status as shown below:



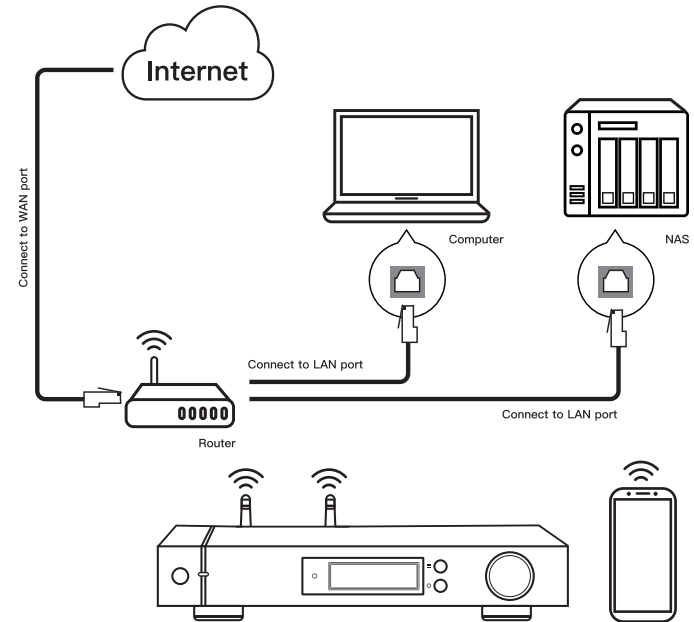
It is advisable to set up the router as DHCP server, and this function will allocate the device IP address in LAN automatically.

### 3.6 Connect to WLAN

3.6.1. Please make sure reliable installation of two Wi-Fi antennas on the rear panel (insert the Wi-Fi antenna into the jack and tighten it clockwise). You can adjust the antenna angle to change the signal effect.



3.6.2. Let element P in the network status as shown below:



3.6.3. Scan the QR code below or visit [https://matrix-digi.com/mobile\\_app/](https://matrix-digi.com/mobile_app/) to download MA Remote.



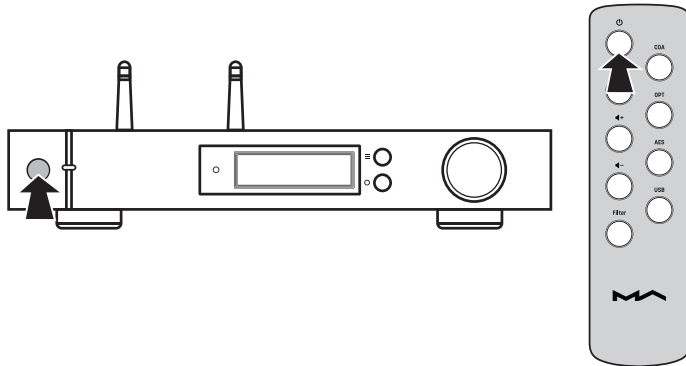
MA Remote APP

## 4. Play

### 4.1. Basic operation

#### 4.1.1 Power on

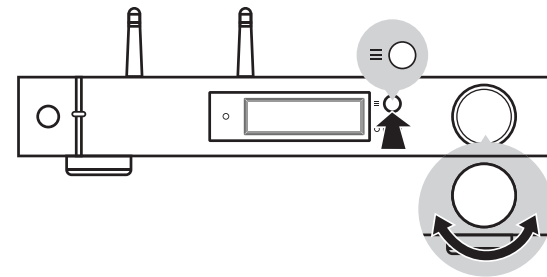
The LED indicator will turn to dark white after element P connected to power supply, indicating that it enters the standby status, press the 'Standby' key on the unit body or remote control, element P will power on, and the LED indicator will turn to highlight white.



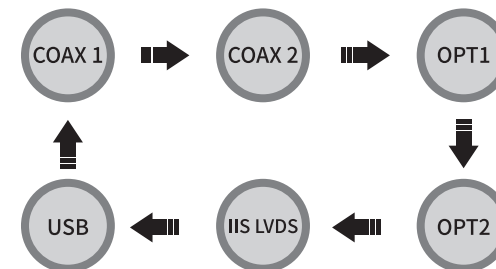
When element P is on, press the standby key for about 2 seconds to turn it into standby mode and the LED indicator will turn to dark white.

#### 4.1.2 Select the input source

Repeat pressing the menu key '≡' and switch to channel option menu, then rotate the knob to select between Coaxial 1, Coaxial 2, Optical 1, Optical 2, IIS LVDS, USB Audio and Auto, you can press the knob to affirm the channel.

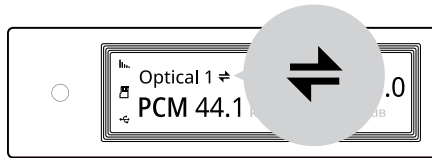


Under 'Auto' mode, element P will automatically scan all input channels, the first connected input channel will be locked immediately. It will continue to scan other channels until the current channel signal is lost. When there are several input channels being connected, element P is always locking the signal which is scanned at first. The order of input channel scanning is as shown,



When the USB Audio function is closed, the auto scan will ignore USB channel.

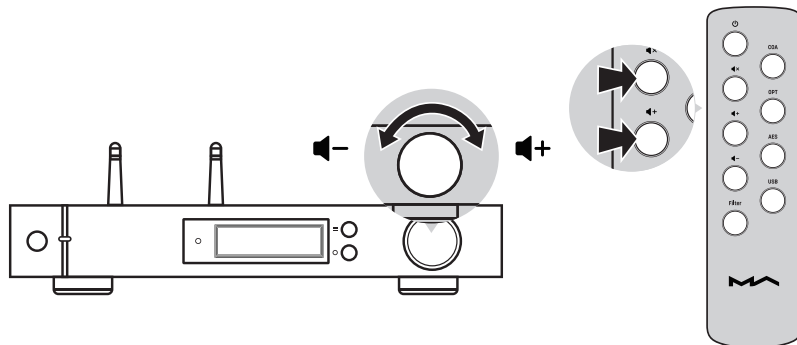
When selected 'Auto' channel and the input signal being locked, it will show the auto scan mark besides of the channel name. As shown,



### 4.1.3 Volume control

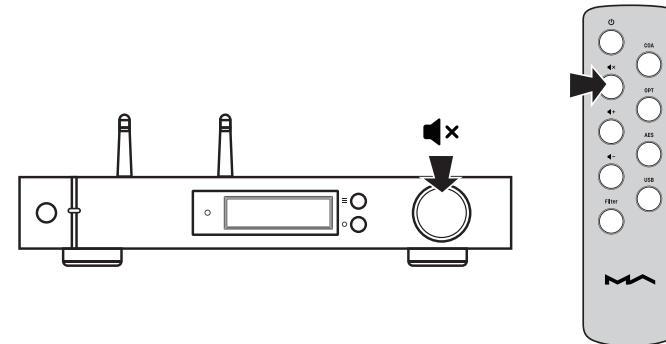
#### 4.1.3.1 Volume adjustment

The volume can be adjusted by the knob or the ◀- and ▶+ key on the remote control, and the screen will show the current volume level at the same time. Line output and headphone output have independent volume control level, also, the line output can be configured as fixed level output.



#### 4.1.3.2 Mute

In playback status, you can press the volume knob or 'Mute' on the remote control to active mute; press the 'Mute' again or turn the volume knob to exit mute. There will be a mute icon on the screen when mute is activated.



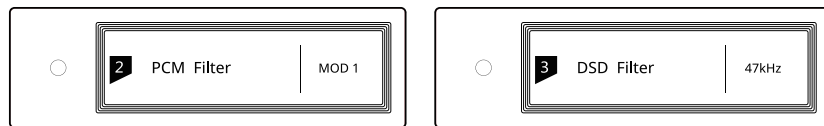
#### 4.1.3.3 Hearing protection

In order to protect your hearing and avoid scaring by loud sound, when the volume level is higher than -20dB, the volume will be recovered to -20dB after reboot; if the volume level is lower than -20dB, it will return to the same volume as you set last time.

#### 4.1.4 Filter settings

When element P is playing PCM or DSD music, users can select the digital filters to get different sound performance. Users can switch it on 1st and 2nd option in the setting menu or add the Filter setting to shortcut key 'O' on 9th option to fast switch it (page 13-14). The current selected filter will displayed in the auxiliary information area on the screen, and the encoding mode of the DSD audio is also displayed there.

When playing MQA files, the PCM filter will invalid.



#### 4.1.5 Auto sleep and wake up

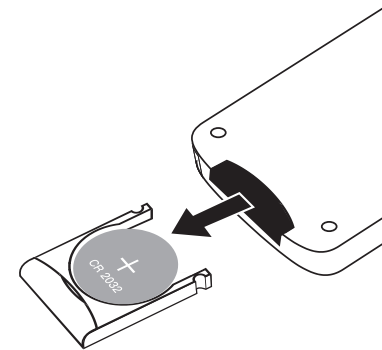
element P will enter sleep mode when the current selected channel has no input signal and no operation for more than 5 minutes, while its screen turns off and white breathing light is shining.

The following operations can wake up element P from Sleep status,

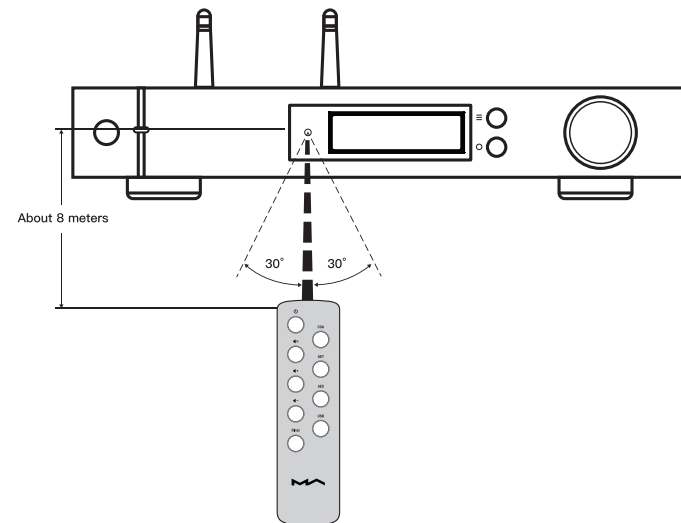
- Press the 'Standby' button on element P or remote control.
- Recover the input signal of the selected channel or recover signal of any channels under Auto Scan mode
- Push music to element P through AirPlay or DLNA
- Play music by MA Remote

#### 4.1.6 Remote control

Remote control uses a CR2032 button cell battery. Pull out the battery slot at the bottom to install battery and make sure to put in the right polarity.

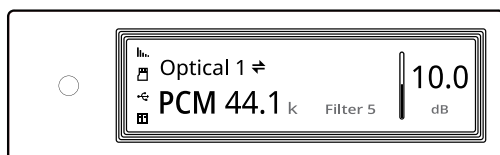


Please let the remote control point to the remote sensor among the area in the following picture, the remote distance is about 8 meters and the battery life is about one year, please change new battery if the remote distance become shorter or is not sensitive as before.



#### 4.2 Play music through optical, coaxial or IIS-LVDS port

When it is connected with front-end devices, which including S/PDIF output digital signal through coaxial and optical port or Matrix digital audio interface products through IIS port, the screen will show sampling rate and signal format of the selected input channel.

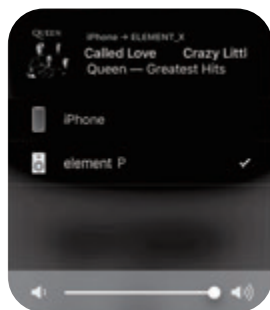


If the sampling rate and signal format on the screen is not displayed correctly, please check if the cable is reliable connected or the front-end devices is outputting signal.

#### 4.3 Play music through AirPlay or DLNA

When the element P connected to the local area network, the mobile devices in the same network can push music to element P through AirPlay or DLNA.

Connect the Wi-Fi of your iPhone or iPad to the same local area network as the element P, and click AirPlay to select element P as audio device, then choose and enjoy your favored music.



Connect the Android devices and element P through Wi-Fi under the same LAN, and open the APP including DLNA function, then play music and push it to element P.

The experience of using element P with an Android device is due to the compatibility of music APPs, not all the Android devices or music APPs have DLNA function.

#### 4.4 Play music in USB storage devices\MicroSD Card\NAS

element P can play the music from USB storage devices\MicroSD Card\NAS through MA player. Download MA Remote APP to get more detail about user guide.

MA player can play kinds of lossless format audio files, as well as DSD music, it also includes an MQA full decoder technology, we believe you will feel a new experience when enjoying music collections.

#### 4.5 USB Audio mode

This mode is using element P as a high-quality USB DAC. Please follow the option 10th in setup menu to open this mode, then connect element P to PC or mobile phone through USB Audio port. The MA player function will be disabled under USB Audio mode.

Windows7/8/10 OS need to install the driver from Matrix official website under USB Audio mode. Download: <https://matrix-digi.com/en/downloads/>, please install the driver as follow,

#### Install the Windows driver for element P

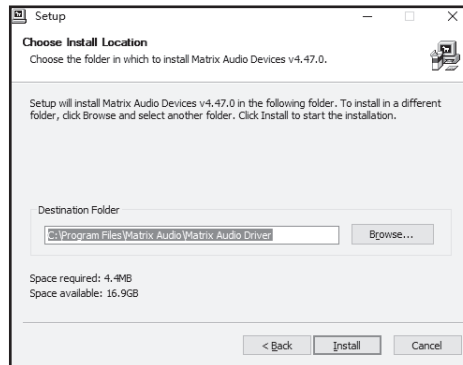
##### Step 1:

Double-click the driver installation file, and click 'Next'



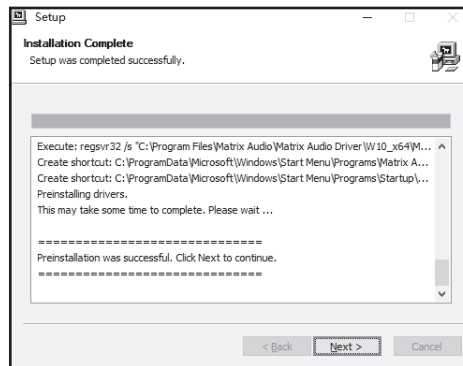
**Step 2:**

Please select the installation path and click 'Install'



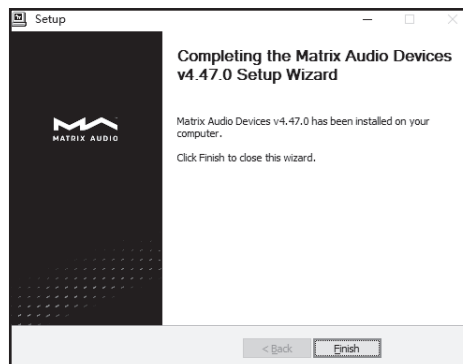
**Step 3:**

Installation is completed and click 'Next'



**Step 4:**

Click 'Finish', the driver installation is completed.



**Use element P under Mac OS X**

Mac OS X do not need driver. Please select the audio device as 'element Series' in System Preferences.



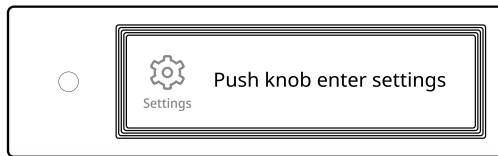
**Connect element P to mobile devices via USB port**

Use Apple Lightening to USB Camera Kits to connect element P with iOS devices. element P can be connected to an Android device with Micro USB or Type-C USB port via the OTG cable, but it's not guaranteed to be compatible with all the Android devices.

## 5. Settings

Repeat pressing the 'Menu' key to enter configuration menu, then press the knob to enter configuration items.

As shown:



There are 13 items in the configuration menu as follow:

### 5.1 PCM Filters

Configurable 7 digital filters with different frequency response curves, to set filters for different timbre

MOD1 fast roll-off, minimum phase filter (Default)

MOD2 slow roll-off, minimum phase filter

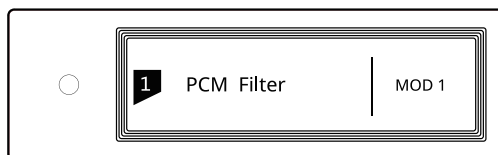
MOD3 fast roll-off, linear phase filter

MOD4 slow roll-off, linear phase filter

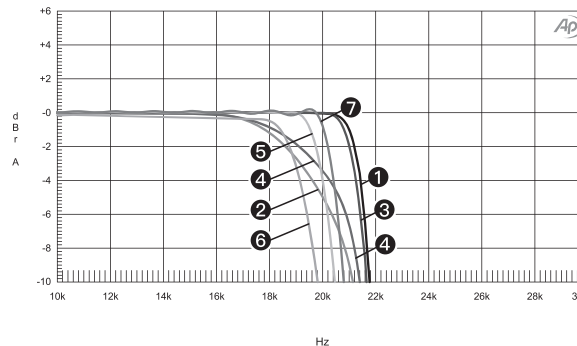
MOD5 brickwall filter

MOD6 hybrid, fast roll-off, minimum phase filter

MOD7 Apodizing, fast roll-off, linear phase filter



The frequency response curve of 7 different filters are as follow:



Sweep	Trace	Line Style	Thick	Data	Axis	Comment
1	1	Solid	1	DSP Anlr.Level A	Left	mod1_fast roll-off,minimum ①
2	1	Solid	1	DSP Anlr.Level A	Left	mod2_slow roll-off,minimum ②
3	1	Solid	1	DSP Anlr.Level A	Left	mod3_fast roll-off,linear ③
4	1	Solid	1	DSP Anlr.Level A	Left	mod4_slow roll-off,linear ④
5	1	Solid	1	DSP Anlr.Level A	Left	mod5_brickwall ⑤
6	1	Solid	1	DSP Anlr.Level A	Left	mod6_hybrid ⑥
7	1	Solid	1	DSP Anlr.Level A	Left	mod7_apodizing ⑦

(Tested at 1kHz)

### 5.2 DSD Filters

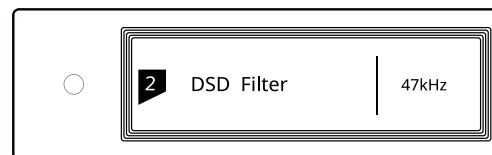
Set the cut-off frequency of DSD digital filter

47kHz (Default)

50kHz

60kHz

70kHz



Suggestion:

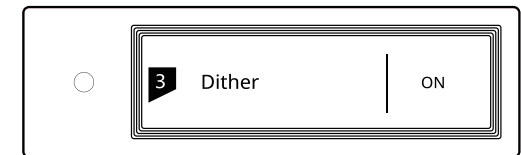
DSD64 - 47k, DSD128 - 50k, and so on.

### 5.3 Dither

Configure to turn ON/OFF the dither function, it can effectively reduce the quantizing distortion.

ON (Default)

OFF

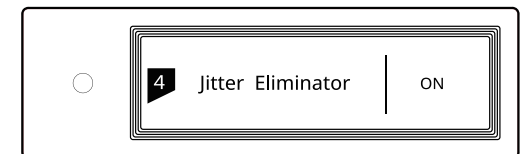


### 5.4 Jitter Eliminator

Set the internal time-base jitter elimination circuit for turn ON or OFF.

ON (Default)

OFF



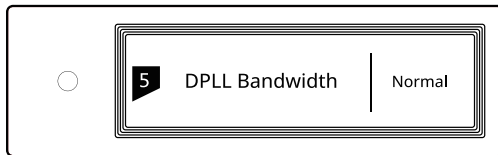


### 5.5 DPLL Bandwidth

Set the DPLL Bandwidth

Normal: Standard bandwidth (Default)

High: High bandwidth



It's recommended to set the DPLL bandwidth to default, but when the quality of digital signal which output from front-end device is poor and the element P can not lock the signal stably, please select high bandwidth, while the sound quality may be reduced under high bandwidth mode.

### 5.6 IIS-LVDS Port Definition

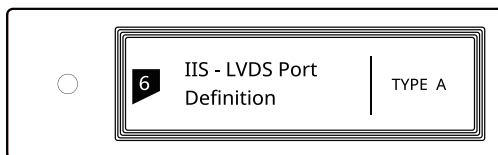
There are 4 kinds of IIS-LVDS port definition for option, the different definitions are shown in the appendix,

TYPE A (Default)

TYPE B

TYPE C

TYPE D



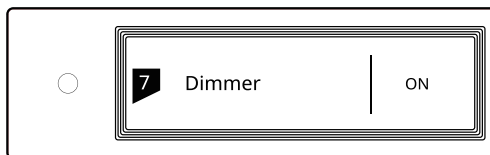
Please select 'TYPE A' when collocated with Matrix audio products.

### 5.7 Dimmer

In order to avoid the interference from the LED indicator and the screen, element P can enter dimmer mode after no operation for 5 minutes, when turn on this option. At dimmer mode, the LED indicator will reduce brightness and the screen will turn off. The screen can be activated by operating on the remote control or on the unit body. Turn off this option to prevent element P enter dimmer mode.

ON

OFF (Default)

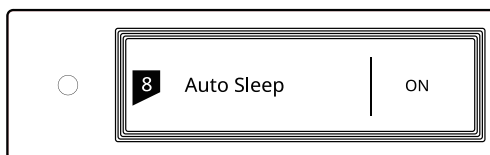


### 5.8 Auto Sleep

When there is no input signal from the selected channel and no operation for more than 5 minutes, element P will enter Sleep mode. element P will not enter 'Auto Sleep' mode when 'Auto Sleep' function is off.

ON

OFF (Default)



### 5.9 User defined button settings

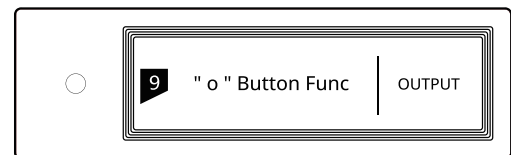
Set the function of 'O' button on the front panel

There are three functions available:

INPUT (set as quick-switch input channels, every keystroke switch to another input channel)

OUTPUT (set as quick-switch output channels, every keystroke switch to another output channel)

FILTER (set as quick-switch filters, every keystroke switch to another filter)

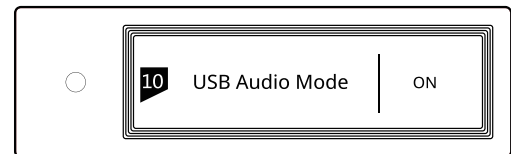


### 5.10 USB Audio Mode

This mode is using element P as a high-quality USB DAC. The MA player function will be closed under USB Audio mode.

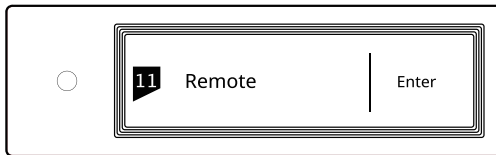
ON

OFF (Default)

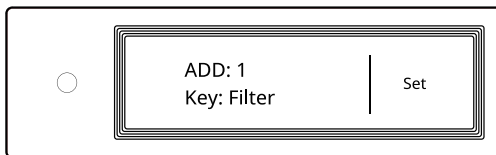


### 5.11 Remote

If there are more than 1 Matrix device in the same place, in order to prevent one remote control from controlling multiple device at the same time, element P has built-in 5 sets of remote control address codes, which can be switched under this option to achieve 'one-to-one' control between the remote control and the host.

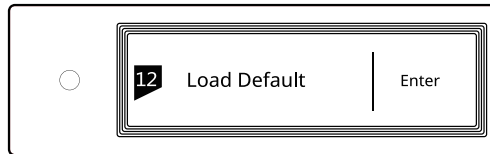


Press the knob to enter the remote control settings as shown below, at this time, you will see the current remote control address code on the screen, press the button on the remote control and the screen will display the corresponding name. Hold the Standby and Filter buttons on the remote control for 5 seconds at the same time, the screen will display a new address code, press the 2 buttons again within 5 seconds to switch to the next address code, repeat the operations above to select the address code, press '≡' or '○' to return to the menu page.



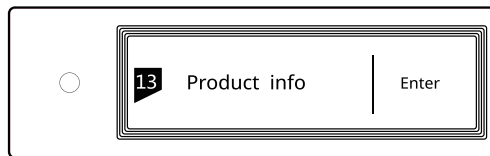
### 5.12 Load Default

Press the knob in this option, all the settings will return to default.



### 5.13 Product information

Push the knob under this option, the hardware and software information will shown on the screen.



## 6. Appendix

### 6.1 Audio file formats and sampling rate supported

**MA player supports the following audio file formats:**

MP3, WMA, WAV, AIF, AIFC, AIFF, AAC, FLAC, OGG, APE, ALAC, M4A, DSF, DFF

**PCM sampling rate support up to:**

**PCM** 16/24/32Bit 44.1kHz, 48kHz, 88.2kHz, 96kHz, 176.4kHz, 192kHz, 352.8kHz, 384kHz, 705.6kHz, 768kHz

**DSD sampling rate support up to:**

**DSD** 2.8 MHz, 5.6 MHz, 11.2 MHz, 22.4MHz

More audio file formats could be supported through future firmware updates.

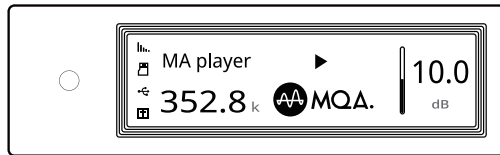
### 6.2 About MQA (Master Quality Authenticated)

MQA is an award-winning British technology that delivers the sound of the original master recording. The master MQA file is fully authenticated and is small enough to stream or download.

'MQA' or 'MQA.' indicates that the product is decoding and playing an MQA stream or file, and denotes provenance to ensure that the sound is identical to that of the source material.

'MQA.' indicates it is playing an MQA Studio file, which

has either been approved in the studio by the artist/producer or has been verified by the copyright owner. The MA player delivers the final unfold of the MQA file and displays the original sample rate of the file. The sampling rate for MQA encoded playback covers 44.1k-384kHz.



### 6.3 USB storage device requirements

- element P can use devices that comply with the USB mass storage standard, but cannot guarantee compatibility with all storage devices or memory cards.
- USB storage devices support FAT, FAT32, exFAT, NTFS formats.
- If the USB storage device is partitioned, each partition will be treated as a separated device.
- When using extension cable to connect a USB storage device may result in unstable connection.
- When using a USB hub to connect the USB storage device to element P, it may not work properly.
- The USB port of element P cannot supply more than 500 mA to the peripherals.
- If USB storage device comes with a power adapter, please connect power adapter to the storage device.

### CAUTION:

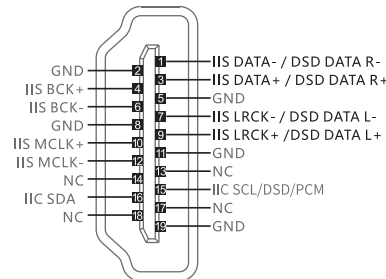
Matrix Audio is not responsible for data loss, modification, or failure to the USB storage devices. We strongly recommend you back up the data in the USB storage device before using it on element P.

### 6.4 IIS-LVDS Port

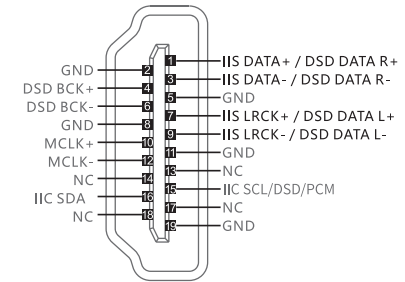
The IIS port of element P is a standard 19-pin HDMI connector. It uses four sets of LVDS differential signals to transmit IIS data. It supports up to 32Bit/768kHz PCM signal input and 1Bit/45.1MHz DSD signal input. The PCM format is the standard IIS format, the DSD format supports the original DSD format (Native DSD) and DoP (DSD over PCM) encoding.

The IIS port of element P could be defined as TYPE A, B, C and D, which can be configured in the setting menu.

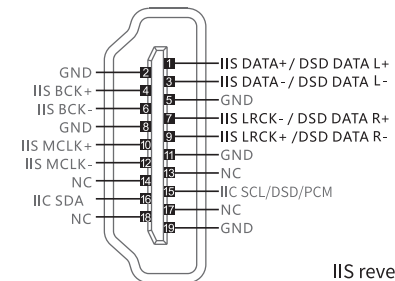
The port definition as shown below:



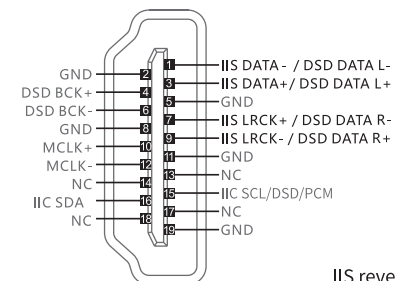
TYPE A:  
IIS standard definition



TYPE B:  
IIS reverse definition



TYPE C:  
IIS reverse definition



TYPE D:  
IIS reverse definition

## 6.5 Technical Specifications

### Digital Input

Coaxial and optical:

**PCM** 16-24Bit/44.1kHz, 48kHz, 88.2kHz, 96kHz,  
176.4kHz, 192kHz

**DSD** DSD64(DoP)

IIS-LVDS:

**PCM** 16-32Bit /44.1kHz, 48kHz, 88.2kHz, 96kHz  
176.4kHz, 192kHz, 352.8kHz, 384kHz,  
705.6kHz, 768kHz

**DSD** DSD64/128/256(DoP)

**DSD** DSD64/128/256/512/1024(Native)

USB audio:

**PCM** 16-24Bit /44.1kHz, 48kHz, 88.2kHz, 96kHz,  
176.4kHz, 192kHz, 352.8kHz, 384kHz,  
705.6kHz, 768kHz

**DSD** DSD64/128/256(DoP)

**DSD** DSD64/128/256/512(Native)

### Speaker output

SNR: >-121dB

THD+N: <0.008% @1W (8Ω, 1kHz)

Frequency response: 20Hz-20kHz ±0.25 -3dB@85kHz

Output impedance: <25mΩ

Output power: 230W@4Ω, 110W@8Ω (1%THD+N)

Gain: +40dB

### Network

LAN: 10BASE-T/100BASE-TX

WLAN: 2.4GHz/5GHz, IEEE 802.11 a/b/g/n/ac standard

### Power Supply

#### Power voltage:

230V position is fit for AC220V-240V 50/60Hz

115V position is fit for AC100V-120V 50/60Hz

Standby power consumption: < 1W

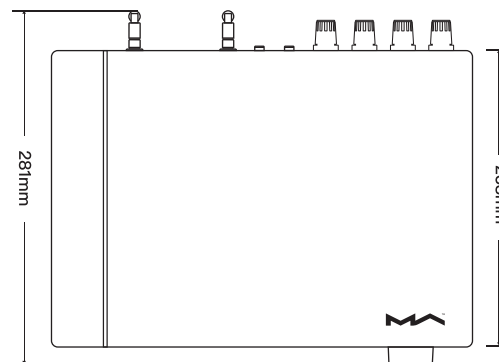
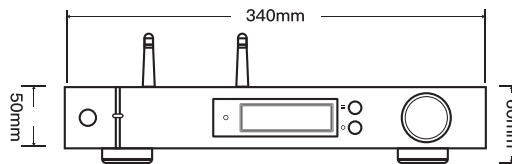
Sleep power consumption: < 4W

Non-playing power consumption: <22W

### Dimension

340×281×60mm

(L×W×H, including the protruding part)



### Weight

4.5kg

For improvement purpose, specifications subject to changes without prior notice.

The product with Hi-Res Audio logo is conformed to High-Resolution Audio standard defined by Japan Audio Society. This logo is used under license from Japan Audio Society.

The MQA logo is a trade mark of MQA Limited.

© MQA Limited 2018.